

January 2007

THE
CABINET
AUTHORITY
WWW.CABINETAUTHORITY.COM

IMPRESA™

*artistry * technology * craftsmanship*

A joint venture between
Conestoga Wood Specialties Corporation
and La Venus S.p.A. of Italy.





CORTINA DOOR	CORTINA DRAWER FRONT
Framing width: 2-7/8"	Framing width: 2"
Thickness: 3/4"	Thickness: 3/4"
Min.: 6-3/4" x 7"	Min.: 7" x 5"
Max.: 41-1/16" x 77-1/16"	Max.: 75-5/16" x 39-5/16"

MURANO DOOR	MURANO DRAWER FRONT
Framing width: 2-3/4"	Framing width: 1-3/4"
Thickness: 7/8"	Thickness: 7/8"
Min.: 6-1/2" x 7"	Min.: 7" x 5"
Max.: 40-13/16" x 76-13/16"	Max.: 74-13/16" x 38-13/16"



PARMA DOOR	PARMA DRAWER FRONT
Framing width: 3-1/8"	Framing width: 2"
Thickness: 7/8"	Thickness: 7/8"
Min.: 7-1/4" x 7-1/4"	Min.: 7" x 5"
Max.: 41-9/16" x 77-9/16"	Max.: 75-5/16" x 39-5/16"

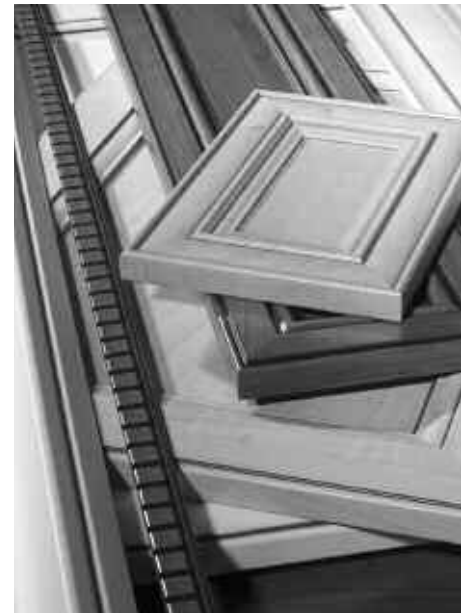
SAN MARINO DOOR	SAN MARINO DRAWER FRONT
Framing width: 3-1/8"	Framing width: 2"
Thickness: 7/8"	Thickness: 7/8"
Min.: 7-1/4" x 7-1/4"	Min.: 7" x 5"
Max.: 41-9/16" x 77-9/16"	Max.: 75-5/16" x 39-5/16"

The Imprèsa story

begins with Conestoga's well-known commitment to quality and reliability, and a desire to provide customers with an affordable, high quality alternative to wood. The solution was found in laminated veneers, a product group firmly established in Europe and typically sourced from Italy.

For over 40 years, Conestoga has built a reputation on delivering high quality cabinet doors and components. This commitment is seen in their world class finishing processes and their industry leading record of complete and on time delivery.

Conestoga's high standards for quality and service led them to seek a long term, secure relationship with an Italian partner who shared the same high level of commitment to its customers.



The Best of Both Worlds

Conestoga discovered the perfect match in La Venus S.p.A. of Pordenone, Italy. Both companies share the same high quality product and service standards and importantly, the same commitment to reliability. Together they made the decision to fully commit to the manufacturing of this collection of doors, accessories and components by creating a legal joint venture, and Imprèsa Technologies, LLC was born.

Italian Impression Technology™

The new venture, Imprèsa Technologies, utilizes a proprietary process — Italian Impression Technology — to expertly match the laminated veneers and wood product finishes to popular melamines. Carefully matching the grain, color and patina, Imprèsa offers a palette of products for designers and manufacturers to design and build complete custom kitchens one at a time.

Imprèsa Brand Products

Imprèsa brand products feature stylish, mitered five-piece doors and matching drawer fronts, offering creativity and design-flexibility for the budget conscious designer with discriminating taste.

Imprèsa delivers product quality, visual attractiveness and the ability to mix and match doors, accessories and components at an affordable price.

Lead-times

Upcharges and Limitations			
Production Schedule:	Standard	Code Red	Code Blue
Upcharge:	none	50%	25%
Limitations:	none	6 pieces	30 pieces

Lead-times <i>(number of working days)</i>			
	Standard	Code Red	Code Blue
Doors and drawer fronts	7	3	5
Ancillary products	4	2	N/A

Lead-time information for matching solid wood products can be found in the lead-time section of the Conestoga Custom Product Manual.

Proven Durability

Decorative Laminate Veneer (DLV) products have been tested and certified by the Kitchen Cabinet Manufacturing Association.

- **Heat Resistance:** Imprèsa DLV products have been subjected to heat over 200° and showed no evidence of delamination.
- **Humidity Resistance:** Because the substraighnt used to make DLV doors is a man-made material, it is far more stable than solid wood doors and will not expand or contract to the same extent. While ideal for high humidity conditions, Imprèsa products should be used in environmentally controlled climates and should not be exposed to high levels of moisture for prolonged periods. DLV products should never be used for exterior applications.
- **Ultra Violet Exposure:** Imprèsa DLV materials are not susceptible to color changes typically associated with UV exposure. Under normal lighting conditions DLV products will change very little in color or tone.

Product Care

DLV products can be cleaned using a mild non-abrasive detergent and damp sponge or cloth. Never saturate DLV products with water or other liquids.

Solid Wood and DLV Color Match

Solid wood products can be finished to closely resemble the Imprèsa DLV colors; however, recommended solid wood finishes may not be an exact match to Imprèsa DLV colors.

DLV products will change very little in color over time; however, due to the affects of light and natural aging, solid wood products will change in color. Finished solid wood and DLV products that are close in color initially may become less similar in color as they age.

Warranty Information

Imprèsa Technologies LLC, warrants that, for a period of one year from date of shipment, our products will be reasonably free of defects in materials and workmanship. When properly handled, Imprèsa products will conform, within acceptable tolerances, to applicable manufacturing specifications. This limited warranty applies only to Imprèsa products which are stored, handled, and installed in the manner consistent with Conestoga's wood components. Imprèsa Technologies will not be responsible or liable for any indirect, consequential or incidental damages or costs sustained by the user.

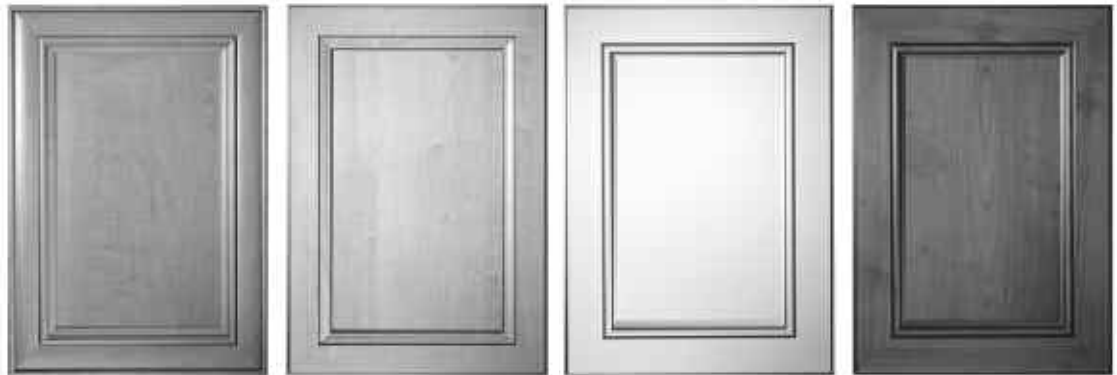
Design Options

Frame only and mullions are available in all four door designs. Available mullion configurations include standard divided lite and 9-lite offset.

Impresa door designs can receive concealed hinge boring and apply over plywood options only; Impresa drawer front designs can receive apply over plywood option only.

Drawer fronts have a horizontal grain pattern as standard, vertical grain available upon request.

Matching Melamines, Edgebanding and Laminates



Cortina

Murano

Parma

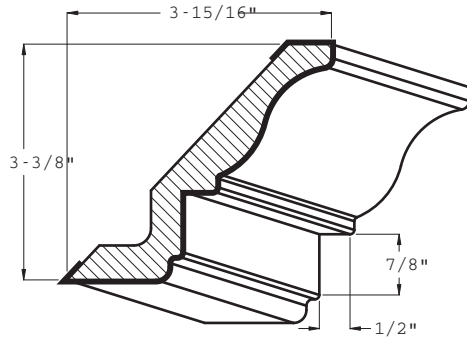
San Marino

IMPRÒSA COLLECTION	CORTINA	MURANO	PARMA	SAN MARINO
CONESTOGA WOOD FINISHES	Cherry Natural with Caramel Glaze	Hard Maple Natural with Caramel Glaze	Paint Grade Hard Maple Frosty White with Coffee Glaze	Cherry Honey with Sable Glaze
MELAMINE BOARD *(These items offer the most exceptional color match.)				
Funder	*Dixie Sycamore #573 Tuscany Walnut #569	*Bank Alder #4596 *Fusion Maple #795 Hardrock Maple #610	Bisque #607	*Arbor Myrtle #4570 Missouri Walnut #505
Panolam	Backwoods Sycamore #W689 Alcove Walnut #W685	*Fusion Maple #W268 *Hardrock Maple #W290 Natural Maple #W201	Antique White #S463	*Arbor Myrtle #W688
Panval	Sugar Cane #259 Provençal Maple #959 Sunrise Maple #262	Crema Cherry #206 Majestral Maple #955	Antique White #810	*Bourbon Cherry #204 *Evening's Walnut #172
Duramine	Pacific Maple #G486	*Fusion Maple #G477	Antique White #W856	*Black Cherry #G511 Georgia Walnut #G250
Tafisa	Candlelight #L421 Ginger Snap #L518	*Fidlar's Maple #L363 Secret #L443	*Ivory #L204	*Cognac Cherry #L448 *Glamour #L455 Cherry Blossom #L449
EDGEBANDING				
Doellken-Woodtape	Congo Spruce #4480 Backwood Sycamore #4489	Kensington Maple #4469 Country Maple #4301	White Sand #2164 Antique White #2115	Legacy Cherry #4315 Grand Cherry #4520
LAMINATES				
Formica		Amber Maple #7012-58	Ivory #460-58	
Nevamar	Santa Rosa Plum #WZ2001T	Clear Maple #WM8340T	Spa White #S7040T	Topaz Khayawood #W8369T
Pionite	Honey Maple #WM951 Millwork Cherry #WC431-H	Hardrock Maple #WM791 Amber Curly Maple #WM221	Eggshell White #SW803	Victorian Cherry #WC331-H Arbor Myrtle #HP688
WilsonArt	Monticello Maple #7925-38 Congo Spruce #7062-60	Limber Maple #10734-60 Kensington Maple #10776-60	White Sand #D403-60	

Grain patterns will vary and lighting sources will impact color.

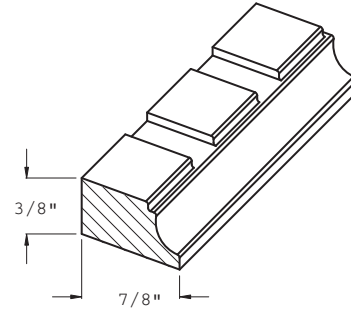
DLV Mouldings (8' lengths only)

Crown Moulding w/heel



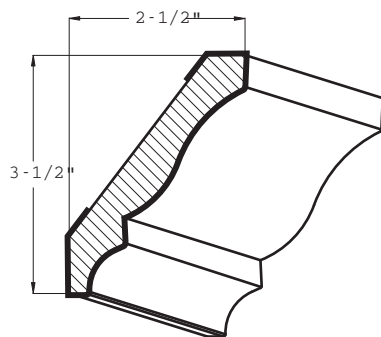
Matches DLV Design	Matches CWS Species-Finish	Part No.
Cortina	Cherry-Natural/Caramel	IM00005
Murano	Hard Maple-Natural/Caramel	IM00006
Parma	Paint Grade HM-Frosty White/Coffee	IM00007
San Marino	Cherry-Honey/Sable	IM00008

Dentil Moulding (Solid Wood)



Matches DLV Design	Matches CWS Species-Finish	Part No.
Cortina	Cherry-Natural/Caramel	IM00017
Murano	Hard Maple-Natural/Caramel	IM00018
Parma	Paint Grade HM-Frosty White/Coffee	IM00019
San Marino	Cherry-Honey/Sable	IM00020

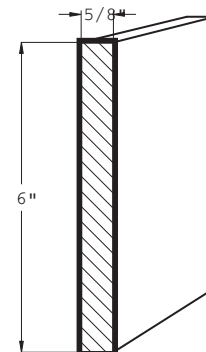
Medium Crown Moulding



Matches DLV Design	Matches CWS Species-Finish	Part No.
Cortina	Cherry-Natural/Caramel	IM00009
Murano	Hard Maple-Natural/Caramel	IM00010
Parma	Paint Grade HM-Frosty White/Coffee	IM00011
San Marino	Cherry-Honey/Sable	IM00012

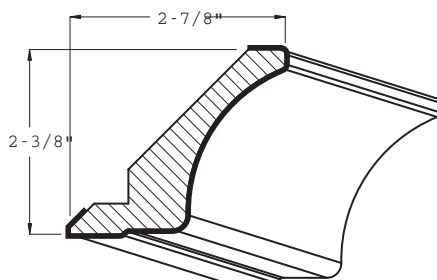
Fascia Moulding

- Two long edges surfaced with DLV.



Matches DLV Design	Matches CWS Species-Finish	Part No.
Cortina	Cherry-Natural/Caramel	IM00013
Murano	Hard Maple-Natural/Caramel	IM00014
Parma	Paint Grade HM-Frosty White/Coffee	IM00015
San Marino	Cherry-Honey/Sable	IM00016

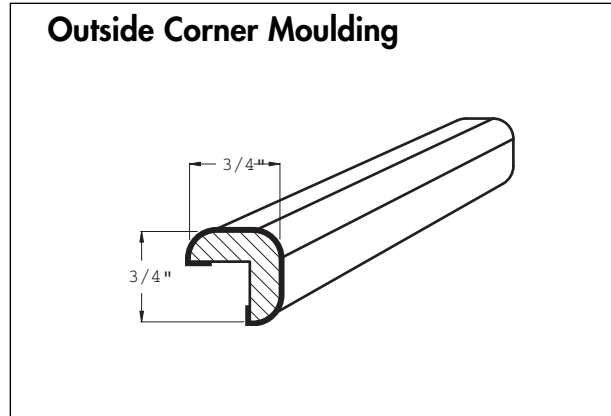
Cove Crown Moulding w/heel



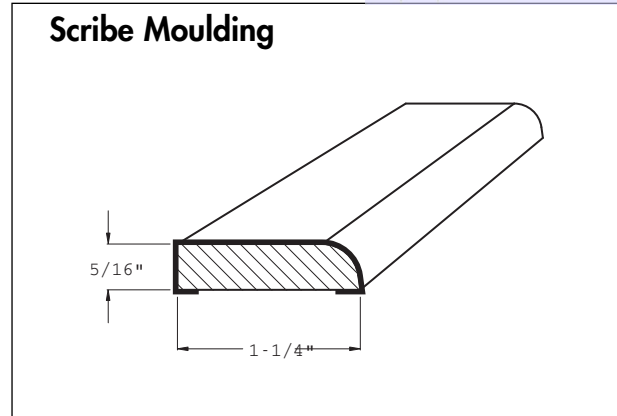
Matches DLV Design	Matches CWS Species-Finish	Part No.
Cortina	Cherry-Natural/Caramel	IM00001
Murano	Hard Maple-Natural/Caramel	IM00002
Parma	Paint Grade HM-Frosty White/Coffee	IM00003
San Marino	Cherry-Honey/Sable	IM00004

Bold line represents veneer wrapped area.

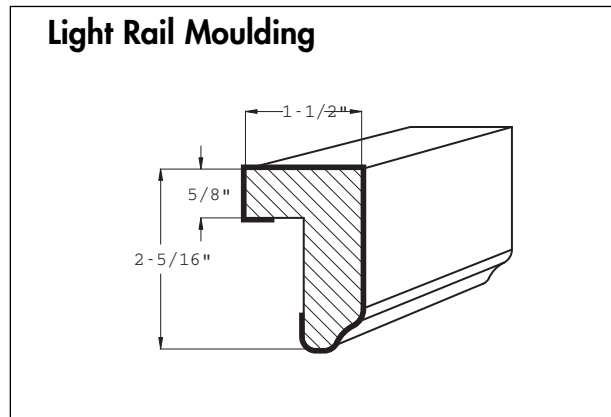
DLV Mouldings (8' lengths only)



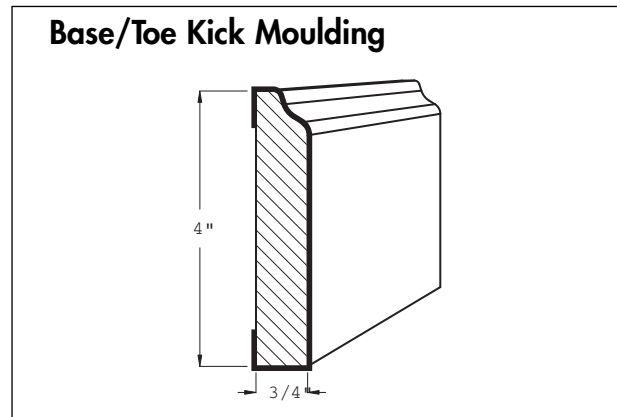
Matches DLV Design	Matches CWS Species-Finish	Part No.
Cortina	Cherry-Natural/Caramel	IM00021
Murano	Hard Maple-Natural/Caramel	IM00022
Parma	Paint Grade HM-Frosty White/Coffee	IM00023
San Marino	Cherry-Honey/Sable	IM00024



Matches DLV Design	Matches CWS Species-Finish	Part No.
Cortina	Cherry-Natural/Caramel	IM00025
Murano	Hard Maple-Natural/Caramel	IM00026
Parma	Paint Grade HM-Frosty White/Coffee	IM00027
San Marino	Cherry-Honey/Sable	IM00028



Matches DLV Design	Matches CWS Species-Finish	Part No.
Cortina	Cherry-Natural/Caramel	IM00029
Murano	Hard Maple-Natural/Caramel	IM00030
Parma	Paint Grade HM-Frosty White/Coffee	IM00031
San Marino	Cherry-Honey/Sable	IM00032



Matches DLV Design	Matches CWS Species-Finish	Part No.
Cortina	Cherry-Natural/Caramel	IM00033
Murano	Hard Maple-Natural/Caramel	IM00034
Parma	Paint Grade HM-Frosty White/Coffee	IM00035
San Marino	Cherry-Honey/Sable	IM00036

Moulding Chip Chains and Touch Up Kits

Moulding Chip Chains

Each moulding chip kit contains 9 individually labeled moulding profile samples shown in a variety of DLV colors. These 6" cross sections serve as an attractive visual tool to assist your customers in making quick and intelligent moulding selections. Each moulding kit is priced at \$35 net and can be ordered using part #2600610A.

Touch Up Kits

A perfect gift to include with each new kitchen purchase, each touch up kit includes a stain marker and fill stick.

Cortina – order the Natural kit for a net price of \$7.50.

Murano – order the Natural kit for a net price of \$7.50.

Parma – order the Latte kit for a net price of \$12.95.

San Marino – order the Honey kit for a net price of \$7.50.

For touching up the patina areas of these products, corresponding glaze kits are available for a net price of \$7.50.

Universal Filler

5/8" 6" 3" 96" 6" 96"

- All four edges surfaced with DLV or complementary foil.

Matches DLV Design	Matches CWS Species-Finish	3x96 Part No.
Cortina	Cherry-Natural/Caramel	IM00037
Murano	Hard Maple-Natural/Caramel	IM00038
Parma	Paint Grade HM-Frosty White/Coffee	IM00039
San Marino	Cherry-Honey/Sable	IM00040
Matches DLV Design	Matches CWS Species-Finish	6x96 Part No.
Cortina	Cherry-Natural/Caramel	IM00041
Murano	Hard Maple-Natural/Caramel	IM00042
Parma	Paint Grade HM-Frosty White/Coffee	IM00043
San Marino	Cherry-Honey/Sable	IM00044

Fluted Filler

7/16" 3/8" 5/8" VARIABLE 3" 30" 6" 30"

- All four edges surfaced with DLV or complementary foil.

Matches DLV Design	Matches CWS Species-Finish	3x30 Part No.
Cortina	Cherry-Natural/Caramel	IM00045
Murano	Hard Maple-Natural/Caramel	IM00046
Parma	Paint Grade HM-Frosty White/Coffee	IM00047
San Marino	Cherry-Honey/Sable	IM00048
Matches DLV Design	Matches CWS Species-Finish	6x30 Part No.
Cortina	Cherry-Natural/Caramel	IM00049
Murano	Hard Maple-Natural/Caramel	IM00050
Parma	Paint Grade HM-Frosty White/Coffee	IM00051
San Marino	Cherry-Honey/Sable	IM00052

Plinth Block

5/8" 3" 3" 3" GRAIN

- Banding on all four edges.

Matches DLV Design	Matches CWS Species-Finish	Part No.
Cortina	Cherry-Natural/Caramel	IM00069
Murano	Hard Maple-Natural/Caramel	IM00070
Parma	Paint Grade HM-Frosty White/Coffee	IM00071
San Marino	Cherry-Honey/Sable	IM00072

Edgebanding

15/16"

- Non-adhesive backed product.
- 600 ft. per roll
- .018" thick

Matches DLV Design	Matches CWS Species-Finish	Part No.
Cortina	Cherry-Natural/Caramel	IM00089
Murano	Hard Maple-Natural/Caramel	IM00090
Parma	Paint Grade HM-Frosty White/Coffee	IM00091
San Marino	Cherry-Honey/Sable	IM00092

Pilaster (Wall)

- Pilaster return included.

Matches DLV Design	Matches CWS Species-Finish	Part No.
Cortina	Cherry-Natural/Caramel	IM00093
Murano	Hard Maple-Natural/Caramel	IM00094
Parma	Paint Grade HM-Frosty White/Coffee	IM00095
San Marino	Cherry-Honey/Sable	IM00096

Pilaster (Wall)

- Pilaster return included.

Matches DLV Design	Matches CWS Species-Finish	Part No.
Cortina	Cherry-Natural/Caramel	IM00097
Murano	Hard Maple-Natural/Caramel	IM00098
Parma	Paint Grade HM-Frosty White/Coffee	IM00099
San Marino	Cherry-Honey/Sable	IM00100

Pilaster (Wall)

- Pilaster return included.

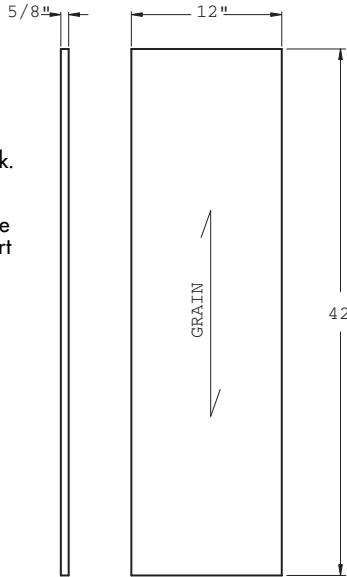
Matches DLV Design	Matches CWS Species-Finish	Part No.
Cortina	Cherry-Natural/Caramel	IM00101
Murano	Hard Maple-Natural/Caramel	IM00102
Parma	Paint Grade HM-Frosty White/Coffee	IM00103
San Marino	Cherry-Honey/Sable	IM00104

Pilaster (Base)

Matches DLV Design	Matches CWS Species-Finish	Part No.
Cortina	Cherry-Natural/Caramel	IM00105
Murano	Hard Maple-Natural/Caramel	IM00106
Parma	Paint Grade HM-Frosty White/Coffee	IM00107
San Marino	Cherry-Honey/Sable	IM00108

Wall End Panel

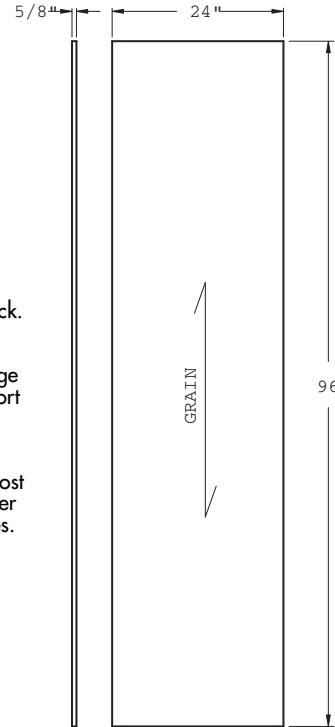
- Finished on face and back.
- Banding on one long edge and both short edges.



Matches DLV Design	Matches CWS Species-Finish	Part No.
Cortina	Cherry-Natural/Caramel	IM00081
Murano	Hard Maple-Natural/Caramel	IM00082
Parma	Paint Grade HM-Frosty White/Coffee	IM00083
San Marino	Cherry-Honey/Sable	IM00084

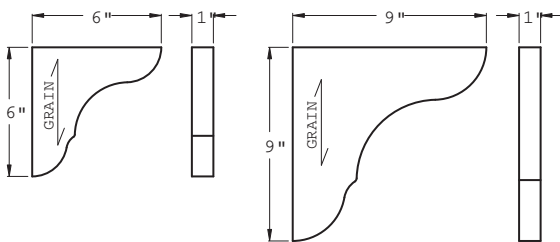
Base/Tall End Panel

- Finished on face and back.
- Banding on one long edge and both short edges.
- Oversized packaging cost of \$24.95 per panel applies.



Matches DLV Design	Matches CWS Species-Finish	Part No.
Cortina	Cherry-Natural/Caramel	IM00085
Murano	Hard Maple-Natural/Caramel	IM00086
Parma	Paint Grade HM-Frosty White/Coffee	IM00087
San Marino	Cherry-Honey/Sable	IM00088

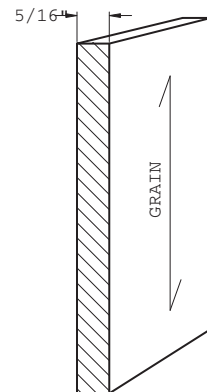
Knee Bracket



Matches DLV Design	Matches CWS Species-Finish	6x6 Part No.
Cortina	Cherry-Natural/Caramel	IM00073
Murano	Hard Maple-Natural/Caramel	IM00074
Parma	Paint Grade HM-Frosty White/Coffee	IM00075
San Marino	Cherry-Honey/Sable	IM00076
Matches DLV Design	Matches CWS Species-Finish	9x9 Part No.
Cortina	Cherry-Natural/Caramel	IM00077
Murano	Hard Maple-Natural/Caramel	IM00078
Parma	Paint Grade HM-Frosty White/Coffee	IM00079
San Marino	Cherry-Honey/Sable	IM00080

DLV Panels

- Cut to size option charge: additional \$5.00 per panel.
- Minimum panel size: 2-3/4" X 2-3/4"
- Maximum panel size: Parma - 42" X 84", All others - 36" X 72"
- Oversized packaging cost of \$24.95 per panel applies when size exceeds 35" wide and 35" long.

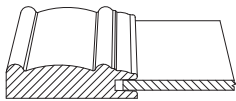


Matches DLV Design	Matches CWS Species-Finish	Material Charge
Cortina	Cherry-Natural/Caramel	\$2.90 sq. ft.
Murano	Hard Maple-Natural/Caramel	2.90 sq. ft.
Parma	Paint Grade HM-Frosty White/Coffee	2.90 sq. ft.
San Marino	Cherry-Honey/Sable	2.90 sq. ft.

Complementary Wood Doors



TW-1902

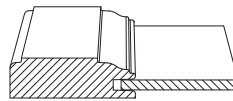


Minimum: 6-3/4" x 6-3/4"
Framing: 2-7/8"
Edge profile: standard as shown, no choices
1/4" veneered panel

Matches Imprèsa
Cortina - when ordered in Cherry,
Natural Finish, Caramel Glaze



TW-1899

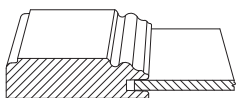


Minimum: 6-1/2" x 6-1/2"
Framing: 2-3/4"
Edge profile: L-1057 standard
1/4" veneered panel

Matches Imprèsa
Murano - when ordered in Hard Maple,
Natural Finish, Caramel Glaze



TW-1896

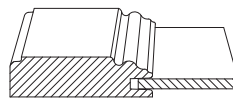


Minimum: 7-1/4" x 7-1/4"
Framing: 3-1/8"
Edge profile: L-1057 standard
1/4" veneered panel

Matches Imprèsa
Parma - when ordered in Paint Grade Hard Maple,
Frosty White Colourtone, Coffee Glaze



TW-1896



Minimum: 7-1/4" x 7-1/4"
Framing: 3-1/8"
Edge profile: L-1057 standard
1/4" veneered panel

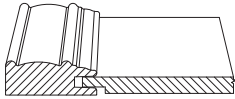
Matches Imprèsa
San Marino - when ordered in Cherry,
Honey Finish, Sable Glaze

Information listed to match Imprèsa designs; alternative specie, profile and options are available. Check with your Customer Service Region for more information.
*The TW-1896 and TW-1899 are manufactured at 7/8" thick; a 30% material upcharge will apply for 1" thick material.
Due to construction complexity, all multiple panel miter doors include an additional charge of \$39.00 per middle and upright rail plus the per panel design charge.
Framing width on all designs is determined by measuring across the back of the framing.

Complementary Wood Drawer Fronts



TW-1902



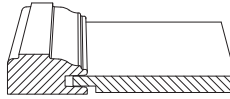
Minimum: 4-7/8" x 4-7/8"
Framing: 2"
Edge profile: standard as shown, no choices
3/8" veneered panel

Matches Imprèsa

Cortina - when ordered in Cherry,
Natural Finish, Caramel Glaze



TW-1899



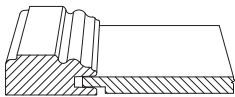
Minimum: 4-3/8" x 4-3/8"
Framing: 1-3/4"
Edge profile: L-1057 standard
3/8" veneered panel

Matches Imprèsa

Murano - when ordered in Hard Maple,
Natural Finish, Caramel Glaze



TW-1896



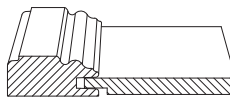
Minimum: 4-7/8" x 4-7/8"
Framing: 2"
Edge profile: L-1057 standard
3/8" veneered panel

Matches Imprèsa

Parma - when ordered in Paint Grade Hard Maple,
Frosty White Colourtone, Coffee Glaze



TW-1896



Minimum: 4-7/8" x 4-7/8"
Framing: 2"
Edge profile: L-1057 standard
3/8" veneered panel

Matches Imprèsa

San Marino - when ordered in Cherry,
Honey Finish, Sable Glaze

Information listed to match Imprèsa designs; alternative specie, profile and options are available. Check with your Customer Service Region for more information.
Drawer fronts have a horizontal grain pattern as standard, vertical grain available upon request.
*The TW-1896 and TW-1899 are manufactured at 7/8" thick; a 20% material upcharge will apply for 1" thick material.
Framing width on all designs is determined by measuring across the back of the framing.

Complementary Wood Products

The following pages feature samples of complementary wood products. All exterior components can be finished to match the Impresa colors. Reference the Conestoga Custom Product Manual for pricing and design options.

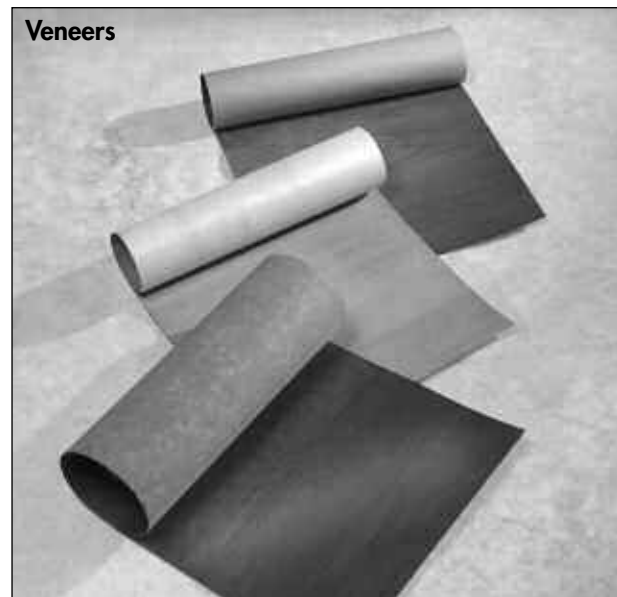


Table Legs/Columns



Corbels/Appliques





IMPRESA™

artistry * technology * craftsmanship



Impresa is a trademark of Impresa Technologies, LLC, a joint venture of La Venus S.p.A. and Conestoga Wood Specialties Corporation. For more information 800.964.3667.