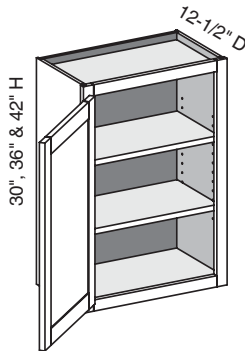


**W/CSW - Wall Cabinet**

EXP	FL	FUE	SS	PFD	EXT	FT	SBR	LE	TSS	OS	NSH	WS	MI	DT	NB
✓	✓	✓		✓	✓					✓	✓	✓	✓		✓



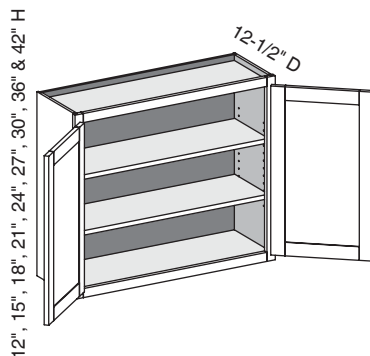
Custom Size Ranges  
Width: 9" – 24"  
Height: 12" – 72"  
Depth: 5-1/2" – 27"

- 12" – 18" high has no shelves.
- 18-1/16" – 24" high has one shelf.
- 24-1/16" – 36" high has two shelves.
- 36-1/16" – 48" high has three shelves.
- 48-1/16" – 60" high has four shelves.
- 60-1/16" – 72" high has five shelves.
- Specify single or butt doors on custom size cabinets 24" wide.

30" High	36" High	42" High
W0930	W0936	W0942
W1230	W1236	W1242
W1530	W1536	W1542
W1830	W1836	W1842
W2130	W2136	W2142
W2430	W2436	W2442

**W/CSW - Wall Cabinet w/Butt Doors**

EXP	FL	FUE	SS	PFD	EXT	FT	SBR	LE	TSS	OS	NSH	WS	MI	DT	NB
✓	✓	✓		✓	✓					✓	✓	✓	✓		✓



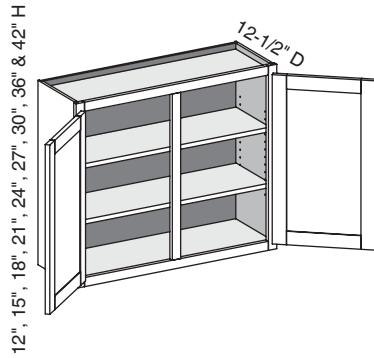
Custom Size Ranges  
Width: 24" – 36"  
Height: 12" – 72"  
Depth: 5-1/2" – 27"

- Single wide door option is available for lift up access applications. Hinges or hinge boring are not available.
- Blum AVENTOS HK lift systems available separately. See Section 10.
- 12" – 18" high has no shelves.
- 18-1/16" – 24" high has one shelf.
- 24-1/16" – 36" high has two shelves.
- 36-1/16" – 48" high has three shelves.
- 48-1/16" – 60" high has four shelves.
- 60-1/16" – 72" high has five shelves.
- Specify single or butt doors on custom size cabinets 24" wide.

12" High	15" High	18" High	21" High	24" High	27" High	30" High	36" High	42" High
W3012BD	W2715BD	W2718BD	W2421BD	W2424BD	W3027BD	W2430BD	W2436BD	W2442BD
W3312BD	W3015BD	W3018BD	W2721BD	W2724BD	W3327BD	W2730BD	W2736BD	W2742BD
W3612BD	W3315BD	W3318BD	W3021BD	W3024BD	W3627BD	W3030BD	W3036BD	W3042BD
	W3615BD	W3618BD	W3321BD	W3324BD		W3330BD	W3336BD	W3342BD
			W3621BD	W3624BD		W3630BD	W3636BD	W3642BD

**Options Key:** EXP = Exposed End(s) FL = Flush End(s) FUE = Flush Unexposed End(s) SS = Shaped Side PFD = Prep for False Door  
EXT = Extended Stile(s) FT = Flush Toe SBR = Shaped Bottom Rail LE = Leg Extension TSS = Toe Space Side OS = Omit Shelving  
NSH = No Shelf Holes WS = Solid Wood Shelves MI = Matching Interior DT = Dust Top NB = Natural Finished Bottom

**W/CSWCS - Wall Cabinet w/Center Stile**



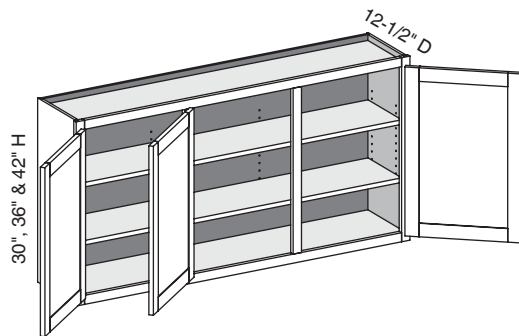
EXP	FL	FUE	SS	PFD	EXT	FT	SBR	LE	TSS	OS	NSH	WS	MI	DT	NB
✓	✓	✓		✓	✓					✓	✓	✓	✓		✓

Custom Size Ranges  
 Width: 27" – 48"  
 Height: 12" – 72"  
 Depth: 5-1/2" – 27"

- 12" – 18" high has no shelves.
- 18-1/16" – 24" high has one shelf.
- 24-1/16" – 36" high has two shelves.
- 36-1/16" – 48" high has three shelves.
- 48-1/16" – 60" high has four shelves.
- 60-1/16" – 72" high has five shelves.

12" High	15" High	18" High	21" High	24" High	27" High	30" High	36" High	42" High
W3012	W3015	W3018	W3021	W3024	W3027	W3030	W3036	W3042
W3312	W3315	W3318	W3321	W3324	W3327	W3330	W3336	W3342
W3612	W3615	W3618	W3621	W3624	W3627	W3630	W3636	W3642
W3912	W3915	W3918	W3921	W3924	W3927	W3930	W3936	W3942
W4212	W4215	W4218	W4221	W4224	W4227	W4230	W4236	W4242
W4812	W4815	W4818	W4821	W4824	W4827	W4830	W4836	W4842

**W/CSW2CS - Wall Cabinet w/Two Center Stiles**



EXP	FL	FUE	SS	PFD	EXT	FT	SBR	LE	TSS	OS	NSH	WS	MI	DT	NB
✓	✓	✓		✓	✓					✓	✓		✓		✓

Custom Size Ranges  
 Width: 48" – 72"  
 Height: 12" – 72"  
 Depth: 5-1/2" – 27"

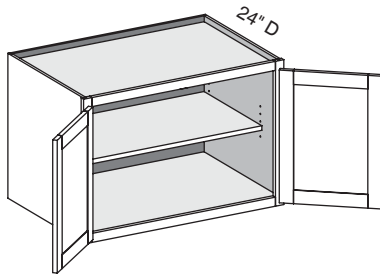
- Additional shelf holes are provided in cabinet back to support wide shelves.
- Doors hinged on center stile require 1/2" overlay hinges for 1-1/4" or 1-3/8" overlay.
- 12" – 18" high has no shelves.
- 18-1/16" – 24" high has one shelf.
- 24-1/16" – 36" high has two shelves.
- 36-1/16" – 48" high has three shelves.
- 48-1/16" – 60" high has four shelves.
- 60-1/16" – 72" high has five shelves.

30" High	36" High	42" High
W5130	W5136	W5142
W5430	W5436	W5442
W5730	W5736	W5742
W6030	W6036	W6042
W6330	W6336	W6342
W6630	W6636	W6642
W6930	W6936	W6942
W7230	W7236	W7242

**Options Key:** EXP = Exposed End(s) FL = Flush End(s) FUE = Flush Unexposed End(s) SS = Shaped Side PFD = Prep for False Door  
 EXT = Extended Stile(s) FT = Flush Toe SBR = Shaped Bottom Rail LE = Leg Extension TSS = Toe Space Side OS = Omit Shelving  
 NSH = No Shelf Holes WS = Solid Wood Shelves MI = Matching Interior DT = Dust Top NB = Natural Finished Bottom

**WD/CSW - Wall Deep w/Butt Doors**

12", 15", 18", 21", 24" & 27" H



EXP	FL	FUE	SS	PFD	EXT	FT	SBR	LE	TSS	OS	NSH	WS	MI	DT	NB
✓	✓	✓		✓	✓					✓	✓	✓	✓		✓

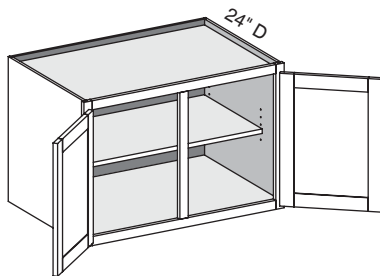
Custom Size Ranges  
Width: 24" – 36"  
Height: 12" – 72"  
Depth: 5-1/2" – 27"

- Single wide door option is available for lift up access applications. Hinges or hinge boring are not available.
- Blum AVENTOS HK lift systems available separately. See Section 10.
- 12" – 18" high has no shelves.
- 18-1/16" – 24" high has one shelf.
- 24-1/16" – 36" high has two shelves.
- 36-1/16" – 48" high has three shelves.
- 48-1/16" – 60" high has four shelves.
- 60-1/16" – 72" high has five shelves.

12" High	15" High	18" High	21" High	24" High	27" High
WD3012BD	WD3015BD	WD3018BD	WD3021BD	WD3024BD	WD3027BD
WD3312BD	WD3315BD	WD3318BD	WD3321BD	WD3324BD	WD3327BD
WD3612BD	WD3615BD	WD3618BD	WD3621BD	WD3624BD	WD3627BD

**WD/CSWCS - Wall Deep w/Center Stile**

12", 15", 18", 21", 24" & 27" H



EXP	FL	FUE	SS	PFD	EXT	FT	SBR	LE	TSS	OS	NSH	WS	MI	DT	NB
✓	✓	✓		✓	✓					✓	✓	✓	✓		✓

Custom Size Ranges  
Width: 27" – 48"  
Height: 12" – 72"  
Depth: 5-1/2" – 27"

- 12" – 18" high has no shelves.
- 18-1/16" – 24" high has one shelf.
- 24-1/16" – 36" high has two shelves.
- 36-1/16" – 48" high has three shelves.
- 48-1/16" – 60" high has four shelves.
- 60-1/16" – 72" high has five shelves.

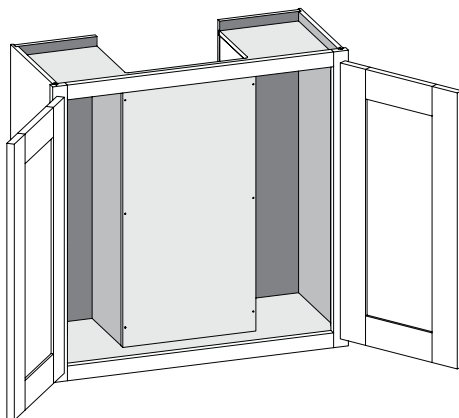
12" High	15" High	18" High	21" High	24" High	27" High
WD3012	WD3015	WD3018	WD3021	WD3024	WD3027
WD3312	WD3315	WD3318	WD3321	WD3324	WD3327
WD3612	WD3615	WD3618	WD3621	WD3624	WD3627
WD3912	WD3915	WD3918	WD3921	WD3924	WD3927
WD4212					
WD4512					
WD4812					

**Options Key:** EXP = Exposed End(s) FL = Flush End(s) FUE = Flush Unexposed End(s) SS = Shaped Side PFD = Prep for False Door  
EXT = Extended Stile(s) FT = Flush Toe SBR = Shaped Bottom Rail LE = Leg Extension TSS = Toe Space Side OS = Omit Shelving  
NSH = No Shelf Holes WS = Solid Wood Shelves MI = Matching Interior DT = Dust Top NB = Natural Finished Bottom

**WRC3/CSWRC3 – Wall w/ 3 Sided Recessed Back**

EXP	FL	FUE	SS	PFD	EXT	FT	SBR	LE	TSS	OS	NSH	WS	MI	DT	NB
✓	✓	✓			✓					STD	STD				✓

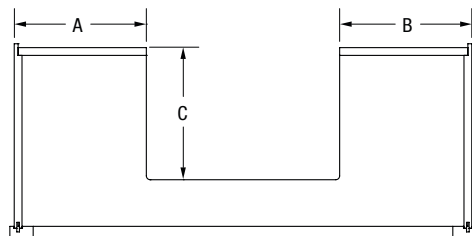
12", 15", 18", 21", 24", 27", 30", 36" & 42" H



Custom Size Ranges  
 Width: 24" – 36"  
 Height: 12" – 48"  
 Depth: 12" – 27"

- Designed to accommodate and conceal ductwork, electric or plumbing supply lines.
- Front panel is removable for installation and access to supply lines.
- To customize recess size and location, specify A, B and C.
- Recess can be centered or offset from either side.
- Minimum dimensions for A, B and C: 2".
- Maximum dimensions for A and B: Cabinet width minus A + B equal to or greater than 2".
- Maximum dimension for C: Cabinet depth minus 2".
- No shelves.
- Specify single or butt doors on custom size cabinets 24" wide.

WRC3 Top View

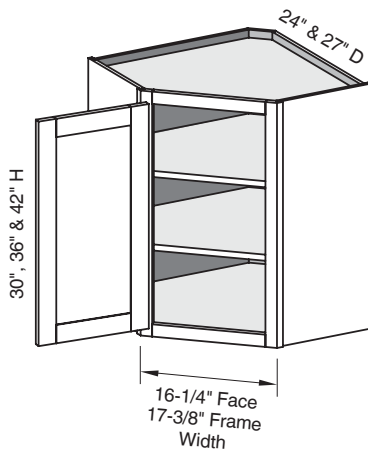


12" High	15" High	18" High	21" High	24" High	27" High	30" High	36" High	42" High
WRC33012BD	WRC32715BD	WRC32718BD	WRC32721BD	WRC32724BD	WRC33027BD	WRC32730BD	WRC32736BD	WRC32742BD
WRC33312BD	WRC33015BD	WRC33018BD	WRC33021BD	WRC33024BD	WRC33327BD	WRC33030BD	WRC33036BD	WRC33042BD
WRC33612BD	WRC33315BD	WRC33318BD	WRC33321BD	WRC33324BD	WRC33627BD	WRC33330BD	WRC33336BD	WRC33342BD
	WRC33615BD	WRC33618BD	WRC33621BD	WRC33624BD		WRC33630BD	WRC33636BD	WRC33642BD

Options Key: EXP = Exposed End(s) FL = Flush End(s) FUE = Flush Unexposed End(s) SS = Shaped Side PFD = Prep for False Door  
 EXT = Extended Stile(s) FT = Flush Toe SBR = Shaped Bottom Rail LE = Leg Extension TSS = Toe Space Side OS = Omit Shelving  
 NSH = No Shelf Holes WS = Solid Wood Shelves MI = Matching Interior DT = Dust Top NB = Natural Finished Bottom

### WCS/CSWCSE - Wall Corner Single Entry

EXP	FL	FUE	SS	PFD	EXT	FT	SBR	LE	TSS	OS	NSH	WS	MI	DT	NB
✓	✓	✓								✓	✓	✓	✓		✓



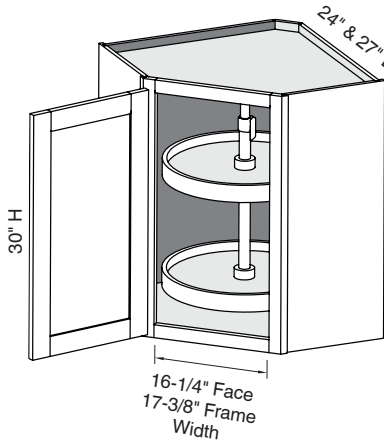
Custom Size Ranges  
 Width: 24", 27"  
 Height: 24" – 72"  
 Depth: 24", 27"

- WCS24 units have 12-1/2" deep sides.
- WCS27 units have 15-1/2" deep sides.
- Shelf mounted wood susan shelves are available. See Section 10 – Accessories.
- When ordered in 1-1/4" and 1-3/8" overlay applications (with or without hinges), cabinets will have their door sized as 1/2" overlay in width only to ensure adequate clearance.
- 24" – 36" high has two shelves.
- 36-1/16" – 48" high has three shelves.
- 48-1/16" – 60" high has four shelves.
- 60-1/16" – 72" high has five shelves.

30" High	36" High	42" High
WCS2430	WCS2436	WCS2442
WCS2730	WCS2736	WCS2742

### WCSELS – Wall Corner Single Entry with Lazy Susan

EXP	FL	FUE	SS	PFD	EXT	FT	SBR	LE	TSS	OS	NSH	WS	MI	DT	NB
✓	✓	✓								✓	✓	✓	✓		✓



Custom Size Ranges  
 Width: 24", 27"  
 Height: 30"  
 Depth: 24", 27"

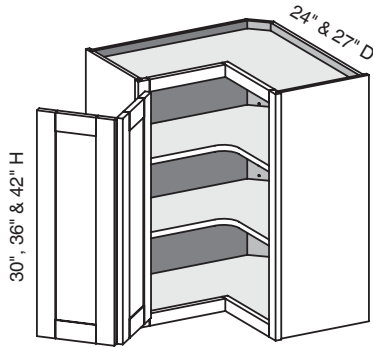
- Cabinet top and bottom is pre-drilled to accept hub assembly. Location and installation are greatly simplified.
- Cabinet includes 18" diameter entry level plastic susan with two independently rotating shelves mounted on a center pole.
- White susan shelves feature a self-lubricating nylon bearing and tool-free height adjustment.
- Size customization is not available due to susan size constraints.
- WCSELS24 has 12-1/2" deep sides.
- WCSELS27 has 15-1/2" deep sides.
- When ordered in 1-1/4" and 1-3/8" overlay applications (with or without hinges), cabinets will have their door sized as 1/2" overlay in width only to ensure adequate clearance.
- Not available with inset applications.

Cabinet Code
WCSELS2430
WCSELS2730

Options Key: **EXP** = Exposed End(s) **FL** = Flush End(s) **FUE** = Flush Unexposed End(s) **SS** = Shaped Side **PFD** = Prep for False Door  
**EXT** = Extended Stile(s) **FT** = Flush Toe **SBR** = Shaped Bottom Rail **LE** = Leg Extension **TSS** = Toe Space Side **OS** = Omit Shelving  
**NSH** = No Shelf Holes **WS** = Solid Wood Shelves **MI** = Matching Interior **DT** = Dust Top **NB** = Natural Finished Bottom

**WCP/CSWCP - Wall Corner Pie Cut**

EXP	FL	FUE	SS	PFD	EXT	FT	SBR	LE	TSS	OS	NSH	WS	MI	DT	NB
✓	✓	✓			✓					✓	✓	✓	✓		✓

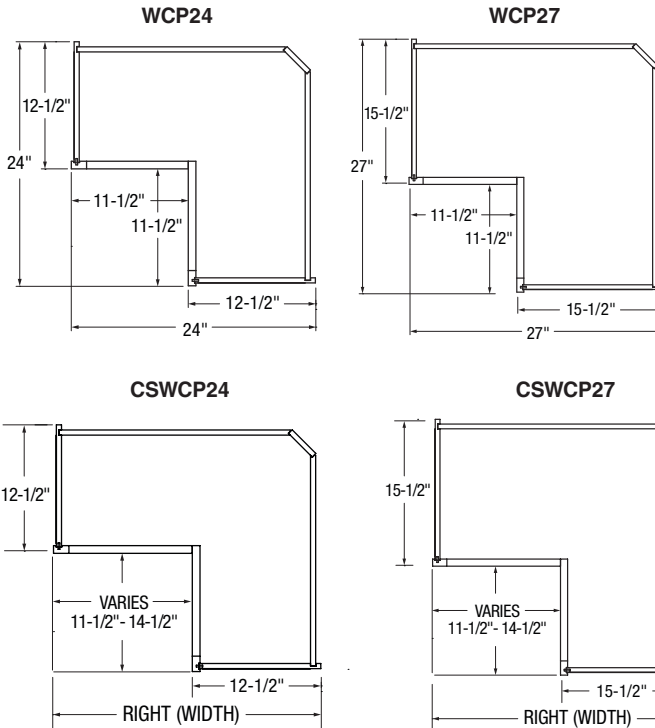


**Custom Size Ranges**

**24" Wide:**  
Width: 24" – 27"  
Height: 24" – 72"  
Depth: 24" – 27"

**27" Wide:**  
Width: 27" – 30"  
Height: 24" – 72"  
Depth: 27" – 30"

- WCP24 units have 12-1/2" deep sides.
- WCP27 units have 15-1/2" deep sides.
- When hinges are ordered in 1-1/4" and 1-3/8" overlay applications, cabinets will have their doors sized as 1/2" overlay in width only to ensure proper clearance.
- If hinges are not specified, 1-1/4" and 1-3/8" overlay sizing rules apply. These overlays require adequate clearance for door functionality between corner and adjacent cabinets. Use filler or extended stiles accordingly.
- CSWCP available with custom size legs. Specify width (left dimension) and depth (right dimension). Side depth remains fixed; front frame pie cut opening adjusts as size changes.
- Wood shelf upgrade not available with CSWCP.
- Shelf mounted wood susan shelves are available. See Section 10 – Accessories.
- Optional Soss hinges available.
- 24" – 36" high has two shelves.
- 36-1/16" – 48" high has three shelves.
- 48-1/16" – 60" high has four shelves.
- 60-1/16" – 72" high has five shelves.



Custom Size Ranges		
	12-1/2" deep sides	15-1/2" deep sides
Width	24" – 27"	27" – 30"
Height	24" – 48"	24" – 48"
Depth	24" – 27"	27" – 30"

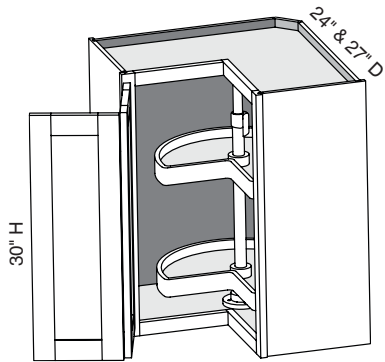
30" High	36" High	42" High
WCP2430	WCP2436	WCP2442
WCP2730	WCP2736	WCP2742

**Options Key:** EXP = Exposed End(s) FL = Flush End(s) FUE = Flush Unexposed End(s) SS = Shaped Side PFD = Prep for False Door  
EXT = Extended Stile(s) FT = Flush Toe SBR = Shaped Bottom Rail LE = Leg Extension TSS = Toe Space Side OS = Omit Shelving  
NSH = No Shelf Holes WS = Solid Wood Shelves MI = Matching Interior DT = Dust Top NB = Natural Finished Bottom

**WCPLS/CSWCPLS – Wall Corner Lazy Susan**

EXP	FL	FUE	SS	PFD	EXT	FT	SBR	LE	TSS	OS	NSH	WS	MI	DT	NB
✓	✓	✓			✓					✓	✓		✓		✓

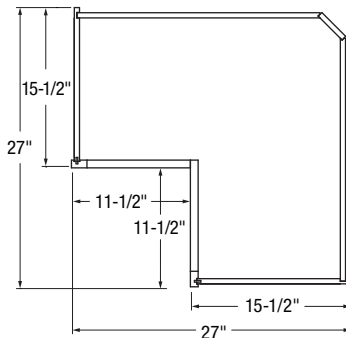
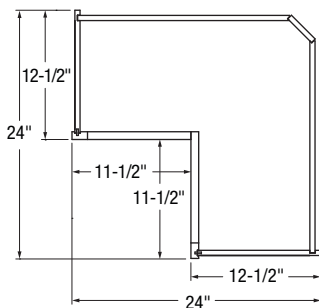
Custom Size Ranges  
 Width: 24", 27"  
 Height: 30"  
 Depth: 24", 27"



- Cabinet top and bottom is pre-drilled to accept hub assembly. Location and installation are greatly simplified.
- Cabinet includes entry level plastic susan with two independently rotating kidney shelves mounted on a center pole.
- White susan shelves feature a self-lubricating nylon bearing and tool-free height adjustment.
- WCPLS24 has 12-1/2" deep sides and 18" diameter susan shelves.
- WCPLS27 has 15-1/2" deep sides and 24" diameter susan shelves.
- Height customization is not available due to susan unit size constraints.
- When hinges are ordered in 1-1/4" and 1-3/8" overlay applications, cabinets will have their door sized as 1/2" overlay in width only.
- If hinges are not specified, 1-1/4" and 1-3/8" overlay sizing rules apply. These overlays require adequate clearance for door functionality between corner and adjacent cabinets. Use filler or extended stiles accordingly.
- Not available with inset applications.
- Optional Soss hinges available.

**WCLS2430**

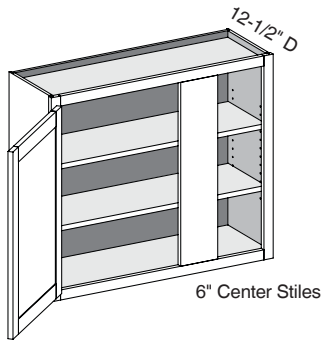
**WCLS2730**



Cabinet Code
WCPLS2430
WCPLS2730

**Options Key:** EXP = Exposed End(s) FL = Flush End(s) FUE = Flush Unexposed End(s) SS = Shaped Side PFD = Prep for False Door  
 EXT = Extended Stile(s) FT = Flush Toe SBR = Shaped Bottom Rail LE = Leg Extension TSS = Toe Space Side OS = Omit Shelving  
 NSH = No Shelf Holes WS = Solid Wood Shelves MI = Matching Interior DT = Dust Top NB = Natural Finished Bottom

**WBC/CSWBC - Wall Blind Corner**



EXP	FL	FUE	SS	PFD	EXT	FT	SBR	LE	TSS	OS	NSH	WS	MI	DT	NB
✓	✓	✓		✓						✓	✓	✓	✓		✓

Custom Size Ranges  
 Width: 27" – 48"  
 Height: 12" – 72"  
 Depth: 5-1/2" – 27"

- Units are reversible (left shown).
- Designed to be used with adjacent 12-1/2" deep cabinet.
- 7-1/2" blind opening (fixed).
- 12" – 18" high has no shelves.
- 18-1/16" – 24" high has one shelf.
- 24-1/16" – 36" high has two shelves.
- 36-1/16" – 48" high has three shelves.
- 48-1/16" – 60" high has four shelves.
- 60-1/16" – 72" high has five shelves.
- Specify single or butt doors on custom cabinets 36" wide.

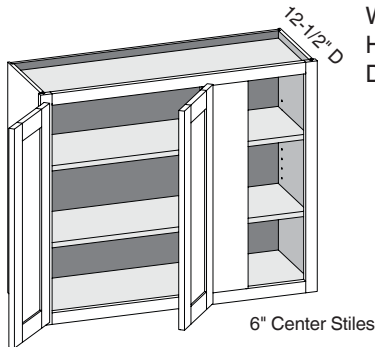
21" High	30" High	36" High	42" High
WBC2721	WBC2730	WBC2736	WBC2742
WBC3621	WBC3030	WBC3036	WBC3042
	WBC3630	WBC3636	WBC3642

**Options Key:** EXP = Exposed End(s) FL = Flush End(s) FUE = Flush Unexposed End(s) SS = Shaped Side PFD = Prep for False Door  
 EXT = Extended Stile(s) FT = Flush Toe SBR = Shaped Bottom Rail LE = Leg Extension TSS = Toe Space Side OS = Omit Shelving  
 NSH = No Shelf Holes WS = Solid Wood Shelves MI = Matching Interior DT = Dust Top NB = Natural Finished Bottom



### WBC/CSWBC - Wall Blind Corner w/Butt Doors

EXP	FL	FUE	SS	PFD	EXT	FT	SBR	LE	TSS	OS	NSH	WS	MI	DT	NB
✓	✓	✓		✓						✓	✓	✓	✓		✓



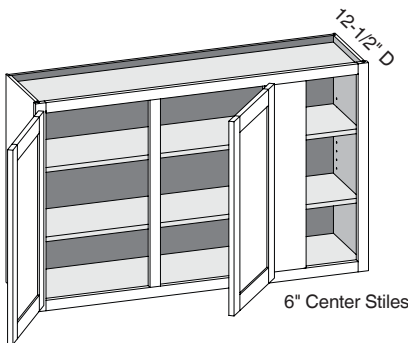
Custom Size Ranges  
 Width: 36" – 48"  
 Height: 12" – 72"  
 Depth: 5-1/2" – 27"

- Units are reversible (left shown).
- Designed to be used with adjacent 12-1/2" deep cabinet.
- 7-1/2" blind opening (fixed).
- 12" – 18" high has no shelves.
- 18-1/16" – 24" high has one shelf.
- 24-1/16" – 36" high has two shelves.
- 36-1/16" – 48" high has three shelves.
- 48-1/16" – 60" high has four shelves.
- 60-1/16" – 72" high has five shelves.
- Specify single or butt doors on custom cabinets 36" wide.

30" High	36" High	42" High
WBC4230BD	WBC4236BD	WBC4242BD
WBC4830BD	WBC4836BD	WBC4842BD

### WBC/CSWBCCS - Wall Blind Corner w/Center Stile

EXP	FL	FUE	SS	PFD	EXT	FT	SBR	LE	TSS	OS	NSH	WS	MI	DT	NB
✓	✓	✓		✓						✓	✓	✓	✓		✓



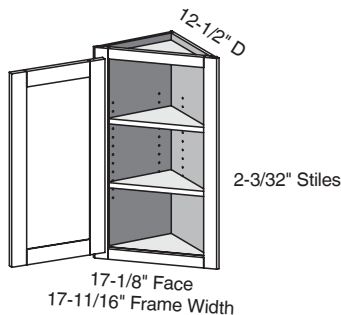
Custom Size Ranges  
 Width: 36" – 48"  
 Height: 12" – 72"  
 Depth: 5-1/2" – 27"

- Units are reversible (left shown).
- Designed to be used with adjacent 12-1/2" deep cabinet.
- 7-1/2" blind opening (fixed).
- 12" – 18" high has no shelves.
- 18-1/16" – 24" high has one shelf.
- 24-1/16" – 36" high has two shelves.
- 36-1/16" – 48" high has three shelves.
- 48-1/16" – 60" high has four shelves.
- 60-1/16" – 72" high has five shelves.

30" High	36" High	42" High
WBC4230	WBC4236	WBC4242
WBC4830	WBC4836	WBC4842

### WAE/CSWAE - Wall Angle End

EXP	FL	FUE	SS	PFD	EXT	FT	SBR	LE	TSS	OS	NSH	WS	MI	DT	NB
										✓	✓	✓	✓		✓



Custom Size Ranges  
 Width: 12-1/2"  
 Height: 12" – 72"  
 Depth: 12-1/2"

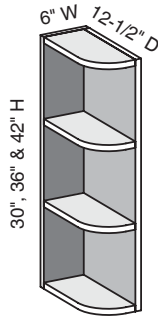
- Concealed inset hinges are not available.
- 12" – 18" high has no shelves.
- 18-1/16" – 24" high has one shelf.
- 24-1/16" – 36" high has two shelves.
- 36-1/16" – 48" high has three shelves.
- 48-1/16" – 60" high has four shelves.
- 60-1/16" – 72" high has five shelves.

30" High	36" High	42" High
WAE1230	WAE1236	WAE1242

Options Key: EXP = Exposed End(s) FL = Flush End(s) FUE = Flush Unexposed End(s) SS = Shaped Side PFD = Prep for False Door  
 EXT = Extended Stile(s) FT = Flush Toe SBR = Shaped Bottom Rail LE = Leg Extension TSS = Toe Space Side OS = Omit Shelving  
 NSH = No Shelf Holes WS = Solid Wood Shelves MI = Matching Interior DT = Dust Top NB = Natural Finished Bottom

**WOS/CSWOS - Wall Open Shelf**

EXP	FL	FUE	SS	PFD	EXT	FT	SBR	LE	TSS	OS	NSH	WS	MI	DT	NB
													STD		



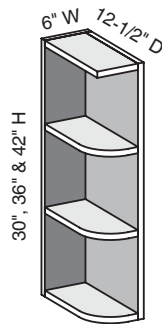
Custom Size Ranges  
Width: 6"  
Height: 12" – 48"  
Depth: 12-1/2" – 27"

- Standard as shown. No options are available.
- Reversible.
- 3/4" matching specie plywood with dowel construction.
- Exposed edges are banded with matching specie veneer.
- Hard Maple plywood for Hard and Soft Maple lines.
- 12" – 17-15/16" high has two shelves.
- 18" – 23-15/16" high has three shelves.
- 24" – 35-15/16" high has four shelves.
- 36" – 48" high has five shelves.

30" High	36" High	42" High
WOS0630	WOS0636	WOS0642

**WOSST/CSWOSST - Wall Open Shelf Square Top**

EXP	FL	FUE	SS	PFD	EXT	FT	SBR	LE	TSS	OS	NSH	WS	MI	DT	NB
													STD		



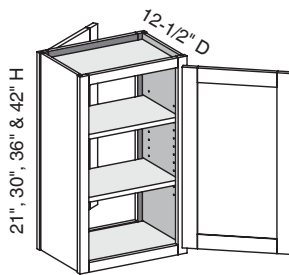
Custom Size Ranges  
Width: 6"  
Height: 12" – 48"  
Depth: 12-1/2" – 27"

- Standard as shown. No options are available.
- 3/4" matching specie plywood with dowel construction.
- Exposed edges are banded with matching specie veneer.
- Hard Maple plywood for Hard and Soft Maple lines.
- 12" – 17-15/16" high has two shelves.
- 18" – 23-15/16" high has three shelves.
- 24" – 35-15/16" high has four shelves.
- 36" – 48" high has five shelves.

30" High	36" High	42" High
WOSST0630	WOSST0636	WOSST0642

**Options Key:** EXP = Exposed End(s) FL = Flush End(s) FUE = Flush Unexposed End(s) SS = Shaped Side PFD = Prep for False Door  
EXT = Extended Stile(s) FT = Flush Toe SBR = Shaped Bottom Rail LE = Leg Extension TSS = Toe Space Side OS = Omit Shelving  
NSH = No Shelf Holes WS = Solid Wood Shelves MI = Matching Interior DT = Dust Top NB = Natural Finished Bottom

**WDE/CSWDE - Wall Double Entry**



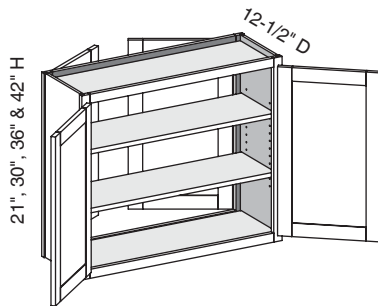
EXP	FL	FUE	SS	PFD	EXT	FT	SBR	LE	TSS	OS	NSH	WS	MI	DT	NB
✓	✓	✓			✓					✓	✓		✓		✓

Custom Size Ranges  
 Width: 9" – 24"  
 Height: 12" – 72"  
 Depth: 12" – 27"

- 12" – 18" high has no shelves.
- 18-1/16" – 24" high has one shelf.
- 24-1/16" – 36" high has two shelves.
- 36-1/16" – 48" high has three shelves.
- 48-1/16" – 60" high has four shelves.
- 60-1/16" – 72" high has five shelves.
- Specify single or butt doors on custom size cabinets 24" wide.

21" High	30" High	36" High	42" High
WDE1821	WDE1830	WDE1836	WDE1842
WDE2421	WDE2430	WDE2436	WDE2442

**WDE/CSWDE - Wall Double Entry w/Butt Doors**



EXP	FL	FUE	SS	PFD	EXT	FT	SBR	LE	TSS	OS	NSH	WS	MI	DT	NB
✓	✓	✓			✓					✓	✓		✓		✓

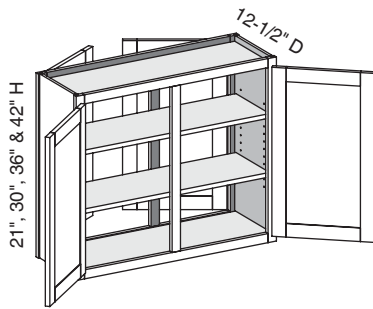
Custom Size Ranges  
 Width: 24" – 36"  
 Height: 12" – 72"  
 Depth: 12" – 27"

- 12" – 18" high has no shelves.
- 18-1/16" – 24" high has one shelf.
- 24-1/16" – 36" high has two shelves.
- 36-1/16" – 48" high has three shelves.
- 48-1/16" – 60" high has four shelves.
- 60-1/16" – 72" high has five shelves.
- Specify single or butt doors on custom size cabinets 24" wide.

21" High	30" High	36" High	42" High
WDE2421BD	WDE2430BD	WDE2436BD	WDE2442BD
WDE2721BD	WDE2730BD	WDE2736BD	WDE2742BD
WDE3621BD	WDE3030BD	WDE3636BD	WDE3642BD
	WDE3630BD		

**Options Key:** EXP = Exposed End(s) FL = Flush End(s) FUE = Flush Unexposed End(s) SS = Shaped Side PFD = Prep for False Door  
 EXT = Extended Stile(s) FT = Flush Toe SBR = Shaped Bottom Rail LE = Leg Extension TSS = Toe Space Side OS = Omit Shelving  
 NSH = No Shelf Holes WS = Solid Wood Shelves MI = Matching Interior DT = Dust Top NB = Natural Finished Bottom

**WDE/CSWDECS - Wall Double Entry w/Center Stile**



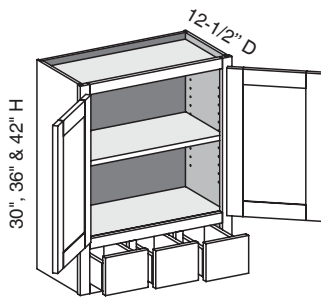
EXP	FL	FUE	SS	PFD	EXT	FT	SBR	LE	TSS	OS	NSH	WS	MI	DT	NB
✓	✓	✓			✓					✓	✓		✓		✓

Custom Size Ranges  
Width: 27" – 48"  
Height: 12" – 72"  
Depth: 12" – 27"

- 12" – 18" high has no shelves.
- 18-1/16" – 24" high has one shelf.
- 24-1/16" – 36" high has two shelves.
- 36-1/16" – 48" high has three shelves.
- 48-1/16" – 60" high has four shelves.
- 60-1/16" – 72" high has five shelves.

21" High	30" High	36" High	42" High
WDE2721	WDE2730	WDE2736	WDE2742
WDE3621	WDE3030	WDE3636	WDE3642
	WDE3630		

**WSD/CSWS3D - Wall Spice Three Drawer w/Butt Doors**



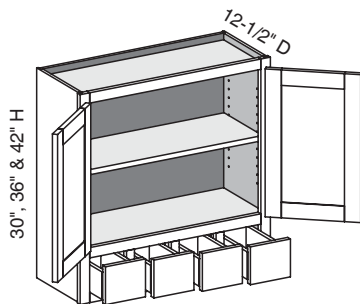
EXP	FL	FUE	SS	PFD	EXT	FT	SBR	LE	TSS	OS	NSH	WS	MI	DT	NB
✓	✓	✓		✓	✓					✓	✓	✓	✓		✓

Custom Size Ranges  
Width: 24" – 29-15/16"  
Height: 30" – 72"  
Depth: 5-1/2" – 27"

- No drawer slides.
- When height changes, upper opening height changes. Lower opening height fixed at 5".
- 30" – 35-15/16" high has one shelf.
- 36" – 42" high has two shelves.
- 42-1/16" – 48" high has three shelves.
- 48-1/16" – 60" high has four shelves.
- 60-1/16" – 72" high has five shelves.

30" High	36" High	42" High
WSD2430BD	WSD2436BD	WSD2442BD

**WSD/CSWS4D - Wall Spice Four Drawer w/Butt Doors**



EXP	FL	FUE	SS	PFD	EXT	FT	SBR	LE	TSS	OS	NSH	WS	MI	DT	NB
✓	✓	✓		✓	✓					✓	✓	✓	✓		✓

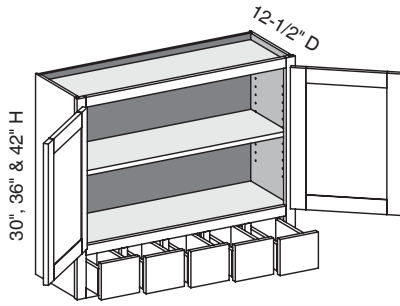
Custom Size Ranges  
Width: 30" – 35-15/16"  
Height: 30" – 72"  
Depth: 5-1/2" – 27"

- No drawer slides.
- When height changes, upper opening height changes. Lower opening height fixed at 5".
- 30" – 35-15/16" high has one shelf.
- 36" – 42" high has two shelves.
- 42-1/16" – 48" high has three shelves.
- 48-1/16" – 60" high has four shelves.
- 60-1/16" – 72" high has five shelves.

30" High	36" High	42" High
WSD3030BD	WSD3036BD	WSD3042BD

**Options Key:** EXP = Exposed End(s) FL = Flush End(s) FUE = Flush Unexposed End(s) SS = Shaped Side PFD = Prep for False Door  
EXT = Extended Stile(s) FT = Flush Toe SBR = Shaped Bottom Rail LE = Leg Extension TSS = Toe Space Side OS = Omit Shelving  
NSH = No Shelf Holes WS = Solid Wood Shelves MI = Matching Interior DT = Dust Top NB = Natural Finished Bottom

**WSD/CSWS5D - Wall Spice Five Drawer w/Butt Doors**



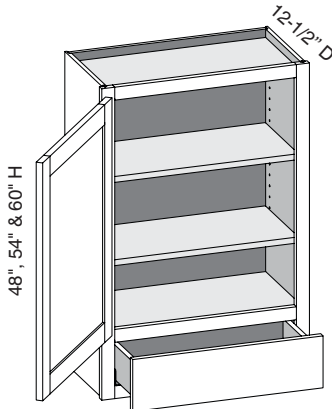
EXP	FL	FUE	SS	PFD	EXT	FT	SBR	LE	TSS	OS	NSH	WS	MI	DT	NB
✓	✓	✓		✓	✓					✓	✓	✓	✓		✓

Custom Size Ranges  
 Width: 36"  
 Height: 30" – 72"  
 Depth: 5-1/2" – 27"

- No drawer slides.
- When height changes, upper opening height changes. Lower opening height fixed at 5".
- 30" – 35-15/16" high has one shelf.
- 36" – 42" high has two shelves.
- 42-1/16" – 48" high has three shelves.
- 48-1/16" – 60" high has four shelves.
- 60-1/16" – 72" high has five shelves.

30" High	36" High	42" High
WSD3630BD	WSD3636BD	WSD3642BD

**W1D/CSW1D - Wall One Drawer**



EXP	FL	FUE	SS	PFD	EXT	FT	SBR	LE	TSS	OS	NSH	WS	MI	DT	NB
✓	✓	✓			✓					✓	✓	✓	✓		✓

Custom Size Ranges  
 Width: 12" – 24"  
 Height: 30" – 72"  
 Depth: 12", 12-1/2",  
 15", 18", 21", 24"

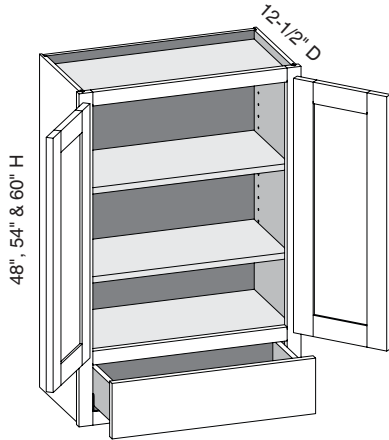
- When height changes, upper opening height changes. Lower opening height fixed at 5".
- 30" – 35-15/16" high has one shelf.
- 36" – 47-15/16" high has two shelves.
- 48" – 59-15/16" high has three shelves.
- 60" – 72" high has four shelves.
- Specify single or butt doors on custom size cabinets 24" wide.

48" High	54" High	60" High
W1D1548	W1D1554	W1D1560
W1D1848	W1D1854	W1D1860
W1D2148	W1D2154	W1D2160
W1D2448	W1D2454	W1D2460

Options Key: **EXP** = Exposed End(s) **FL** = Flush End(s) **FUE** = Flush Unexposed End(s) **SS** = Shaped Side **PFD** = Prep for False Door  
**EXT** = Extended Stile(s) **FT** = Flush Toe **SBR** = Shaped Bottom Rail **LE** = Leg Extension **TSS** = Toe Space Side **OS** = Omit Shelving  
**NSH** = No Shelf Holes **WS** = Solid Wood Shelves **MI** = Matching Interior **DT** = Dust Top **NB** = Natural Finished Bottom

**W1D/CSW1D - Wall One Drawer w/Butt Doors**

EXP	FL	FUE	SS	PFD	EXT	FT	SBR	LE	TSS	OS	NSH	WS	MI	DT	NB
✓	✓	✓			✓					✓	✓	✓	✓		✓



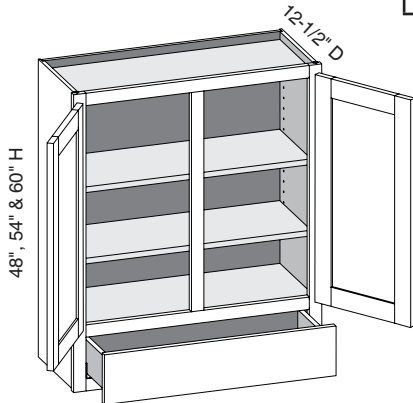
Custom Size Ranges  
Width: 24" – 36"  
Height: 30" – 72"  
Depth: 12", 12-1/2",  
15", 18", 21", 24"

- When height changes, upper opening height changes. Lower opening height fixed at 5".
- 30" – 35-15/16" high has one shelf.
- 36" – 47-15/16" high has two shelves.
- 48" – 59-15/16" high has three shelves.
- 60" – 72" high has four shelves.
- Specify single or butt doors on custom size cabinets 24" wide.

48" High	54" High	60" High
W1D2748BD	W1D2454BD	W1D2460BD
W1D3048BD	W1D2754BD	W1D2760BD
W1D3348BD	W1D3054BD	W1D3060BD
W1D3648BD	W1D3354BD	W1D3360BD
	W1D3654BD	W1D3660BD

**W1D/CSW1DCS - Wall One Drawer w/Center Stile**

EXP	FL	FUE	SS	PFD	EXT	FT	SBR	LE	TSS	OS	NSH	WS	MI	DT	NB
✓	✓	✓			✓					✓	✓	✓	✓		✓



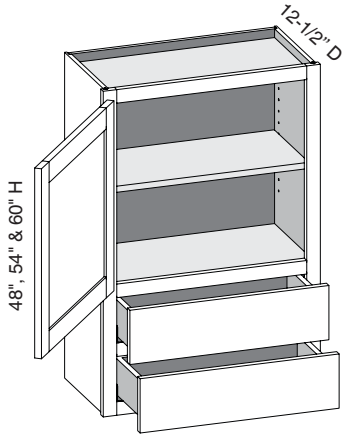
Custom Size Ranges  
Width: 27" – 36"  
Height: 30" – 72"  
Depth: 12", 12-1/2",  
15", 18", 21", 24"

- When height changes, upper opening height changes. Lower opening height fixed at 5".
- 30" – 35-15/16" high has one shelf.
- 36" – 47-15/16" high has two shelves.
- 48" – 59-15/16" high has three shelves.
- 60" – 72" high has four shelves.

48" High	54" High	60" High
W1D2748	W1D2754	W1D2760
W1D3048	W1D3054	W1D3060
W1D3348	W1D3354	W1D3360
W1D3648	W1D3654	W1D3660

**Options Key:** EXP = Exposed End(s) FL = Flush End(s) FUE = Flush Unexposed End(s) SS = Shaped Side PFD = Prep for False Door  
EXT = Extended Stile(s) FT = Flush Toe SBR = Shaped Bottom Rail LE = Leg Extension TSS = Toe Space Side OS = Omit Shelving  
NSH = No Shelf Holes WS = Solid Wood Shelves MI = Matching Interior DT = Dust Top NB = Natural Finished Bottom

**W2D/CSW2D - Wall Two Drawer**



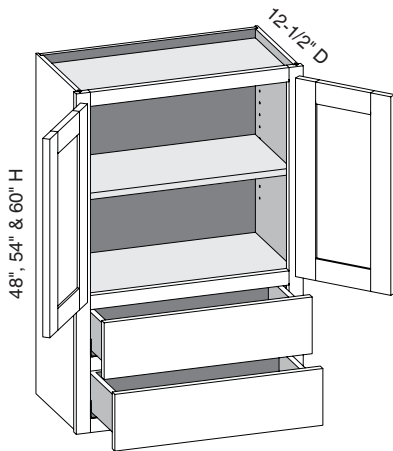
EXP	FL	FUE	SS	PFD	EXT	FT	SBR	LE	TSS	OS	NSH	WS	MI	DT	NB
✓	✓	✓			✓					✓	✓	✓	✓		✓

Custom Size Ranges  
 Width: 12" – 24"  
 Height: 30" – 72"  
 Depth: 12", 12-1/2",  
 15", 18", 21", 24"

- When height changes, upper opening height changes. Lower opening heights fixed at 5".
- 30" – 41-15/16" high has one shelf.
- 42" – 47-15/16" high has two shelves.
- 48" – 59-15/16" high has three shelves.
- 60" – 72" high has four shelves.
- Specify single or butt doors on custom size cabinets 24" wide.

48" High	54" High	60" High
W2D1548	W2D1554	W2D1560
W2D1848	W2D1854	W2D1860
W2D2148	W2D2154	W2D2160
W2D2448	W2D2454	W2D2460

**W2D/CSW2D - Wall Two Drawer w/Butt Doors**



EXP	FL	FUE	SS	PFD	EXT	FT	SBR	LE	TSS	OS	NSH	WS	MI	DT	NB
✓	✓	✓			✓					✓	✓	✓	✓		✓

Custom Size Ranges  
 Width: 24" – 36"  
 Height: 30" – 72"  
 Depth: 12", 12-1/2",  
 15", 18", 21", 24"

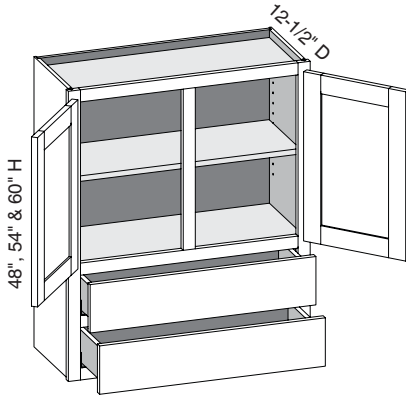
- When height changes, upper opening height changes. Lower opening heights fixed at 5".
- 30" – 41-15/16" high has one shelf.
- 42" – 47-15/16" high has two shelves.
- 48" – 59-15/16" high has three shelves.
- 60" – 72" high has four shelves.
- Specify single or butt doors on custom size cabinets 24" wide.

48" High	54" High	60" High
W2D2448BD	W2D2454BD	W2D2460BD
W2D2748BD	W2D2754BD	W2D2760BD
W2D3048BD	W2D3054BD	W2D3060BD
W2D3348BD	W2D3354BD	W2D3360BD
W2D3648BD	W2D3654BD	W2D3660BD

**Options Key:** EXP = Exposed End(s) FL = Flush End(s) FUE = Flush Unexposed End(s) SS = Shaped Side PFD = Prep for False Door  
 EXT = Extended Stile(s) FT = Flush Toe SBR = Shaped Bottom Rail LE = Leg Extension TSS = Toe Space Side OS = Omit Shelving  
 NSH = No Shelf Holes WS = Solid Wood Shelves MI = Matching Interior DT = Dust Top NB = Natural Finished Bottom

**W2D/CSW2DCS - Wall Two Drawer w/Center Stile**

EXP	FL	FUE	SS	PFD	EXT	FT	SBR	LE	TSS	OS	NSH	WS	MI	DT	NB
✓	✓	✓			✓					✓	✓	✓	✓		✓



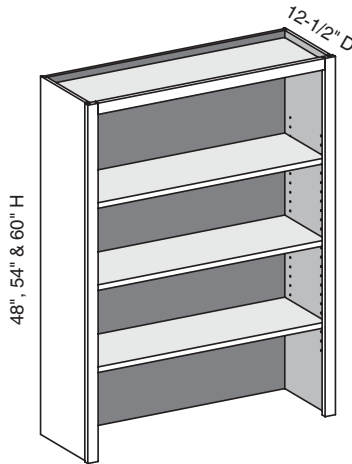
Custom Size Ranges  
Width: 27" – 36"  
Height: 30" – 72"  
Depth: 12", 12-1/2",  
15", 18", 21", 24"

- When cabinet height changes the upper opening changes. Lower opening heights fixed at 5".
- 30" – 41-15/16" high has one shelf.
- 42" – 47-15/16" high has two shelves.
- 48" – 59-15/16" high has three shelves.
- 60" – 72" high has four shelves.

48" High	54" High	60" High
W2D2748	W2D2754	W2D2760
W2D3048	W2D3054	W2D3060
W2D3348	W2D3354	W2D3360
W2D3648	W2D3654	W2D3660

**WOBS/CSWOBS - Wall Open Bookshelf**

EXP	FL	FUE	SS	PFD	EXT	FT	SBR	LE	TSS	OS	NSH	WS	MI	DT	NB
✓	✓	✓		✓	✓					✓	✓	✓	✓		



Custom Size Ranges  
Width: 15" – 36"  
Height: 30" – 72"  
Depth: 5-1/2" – 27"

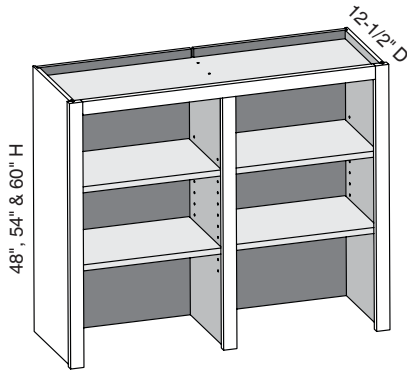
- Solid wood shelves not available with matching specie interior option.
- 30" – 35-15/16" high has one shelf.
- 36" – 47-15/16" high has two shelves.
- 48" – 59-15/16" high has three shelves.
- 60" – 72" high has four shelves.

48" High	54" High	60" High
WOBS1548	WOBS1554	WOBS1560
WOBS1848	WOBS1854	WOBS1860
WOBS2148	WOBS2154	WOBS2160
WOBS2448	WOBS2454	WOBS2460
WOBS2748	WOBS2754	WOBS2760
WOBS3048	WOBS3054	WOBS3060
WOBS3348	WOBS3354	WOBS3360
WOBS3648	WOBS3654	WOBS3660

**Options Key:** EXP = Exposed End(s) FL = Flush End(s) FUE = Flush Unexposed End(s) SS = Shaped Side PFD = Prep for False Door  
EXT = Extended Stile(s) FT = Flush Toe SBR = Shaped Bottom Rail LE = Leg Extension TSS = Toe Space Side OS = Omit Shelving  
NSH = No Shelf Holes WS = Solid Wood Shelves MI = Matching Interior DT = Dust Top NB = Natural Finished Bottom



**WOBSCS/CSWOBSCS – Wall Open Bookshelf w/Center Stile**



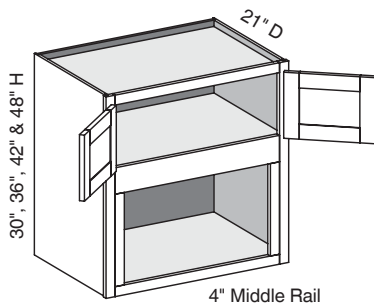
EXP	FL	FUE	SS	PFD	EXT	FT	SBR	LE	TSS	OS	NSH	WS	MI	DT	NB
✓	✓	✓		✓	✓					✓	✓	✓	✓		

Custom Size Ranges  
 Width: 36" – 72"  
 Height: 30" – 72"  
 Depth: 5-1/2" – 27"

- Fixed vertical partition with independently adjustable shelves.
- Solid wood shelves not available with matching specie interior option.
- 30" – 35-15/16" high has two shelves.
- 36" – 47-15/16" high has four shelves.
- 48" – 59-1/16" high has six shelves.
- 60" – 72" high has eight shelves.

48" High	54" High	60" High
WOBSCS3648	WOBSCS3654	WOBSCS3660
WOBSCS3948	WOBSCS3954	WOBSCS3960
WOBSCS4248	WOBSCS4254	WOBSCS4260
WOBSCS4548	WOBSCS4554	WOBSCS4560
WOBSCS4848	WOBSCS4854	WOBSCS4860
WOBSCS5148	WOBSCS5154	WOBSCS5160
WOBSCS5448	WOBSCS5454	WOBSCS5460
WOBSCS5748	WOBSCS5754	WOBSCS5760
WOBSCS6048	WOBSCS6054	WOBSCS6060
WOBSCS6348	WOBSCS6354	WOBSCS6360
WOBSCS6648	WOBSCS6654	WOBSCS6660
WOBSCS6948	WOBSCS6954	WOBSCS6960
WOBSCS7248	WOBSCS7254	WOBSCS7260

**WMB/CSWMB - Wall Microwave Built-in w/Butt Doors**



EXP	FL	FUE	SS	PFD	EXT	FT	SBR	LE	TSS	OS	NSH	WS	MI	DT	NB
✓	✓	✓		✓	✓					✓	✓		✓		✓

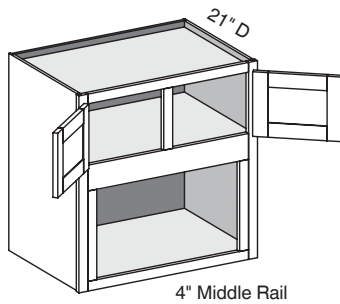
Custom Size Ranges  
 Width: 24" – 36"  
 Height: 30" – 72"  
 Depth: 18" – 27"

- Bottom opening height 14" on 30" – 35-15/16" height, 15-1/2" on all other heights. Trimmable to 2-1/2".
- Bottom opening width 6" less than cabinet width. Trimmable to 3".
- 30" – 41-15/16" high has no shelves.
- 42" – 48" high has one shelf.
- 48-1/16" – 66" high has two shelves.
- 66-1/16" – 72" high has three shelves.

30" High	36" High	42" High	48" High
WMB2730BD	WMB2736BD	WMB2742BD	WMB2748BD
WMB3030BD	WMB3036BD	WMB3042BD	WMB3048BD

Options Key: **EXP** = Exposed End(s) **FL** = Flush End(s) **FUE** = Flush Unexposed End(s) **SS** = Shaped Side **PFD** = Prep for False Door  
**EXT** = Extended Stile(s) **FT** = Flush Toe **SBR** = Shaped Bottom Rail **LE** = Leg Extension **TSS** = Toe Space Side **OS** = Omit Shelving  
**NSH** = No Shelf Holes **WS** = Solid Wood Shelves **MI** = Matching Interior **DT** = Dust Top **NB** = Natural Finished Bottom

**WMB/CSWBCS - Wall Microwave Built-in w/Center Stile**



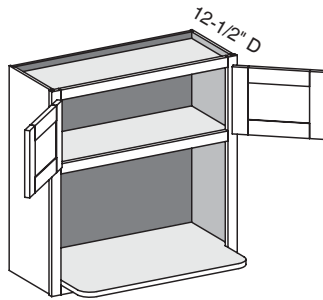
EXP	FL	FUE	SS	PFD	EXT	FT	SBR	LE	TSS	OS	NSH	WS	MI	DT	NB
✓	✓	✓		✓	✓					✓	✓		✓		✓

Custom Size Ranges  
Width: 27" – 36"  
Height: 30" – 72"  
Depth: 18" – 27"

- Bottom opening height 14" on 30" – 35-15/16" height; 15-1/2" on all others. Trimmable to 2-1/2".
- Bottom opening width 6" less than cabinet width. Trimmable to 3".
- 30" – 41-15/16" high has no shelves.
- 42" – 48" high has one shelf.
- 48-1/16" – 66" high has two shelves.
- 66-1/16" – 72" high has three shelves.

30" High	36" High	42" High	48" High
WMB2730	WMB2736	WMB2742	WMB2748
WMB3030	WMB3036	WMB3042	WMB3048

**WMWS/CSWMWS - Wall Microwave with Shelf w/Butt Doors**



EXP	FL	FUE	SS	PFD	EXT	FT	SBR	LE	TSS	OS	NSH	WS	MI	DT	NB
✓	✓	✓		✓	✓					✓	✓		✓		✓

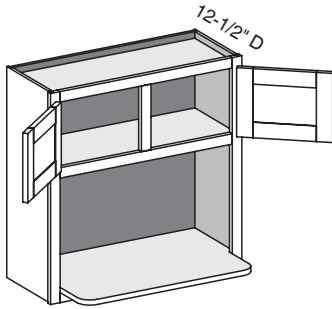
Custom Size Ranges  
Width: 24" – 36"  
Height: 30" – 72"  
Depth: 5-1/2" – 27"

- 18" deep matching specie plywood microwave shelf.
- Soft Maple uses Hard Maple plywood shelf.
- When height changes, upper opening height changes. Lower opening height fixed at 16-1/2".
- Edge of lower shelf is plywood banded with matching specie veneer.
- 30" – 41-15/16" high has no shelves.
- 42" – 48" high has one shelf.
- 48-1/16" – 60" high has two shelves.
- 60-1/16" – 72" high has three shelves.

30" High	36" High	42" High	48" High
WMWS2430BD	WMWS2436BD	WMWS2442BD	WMWS2448BD
WMWS2730BD	WMWS2736BD	WMWS2742BD	WMWS2748BD
WMWS3030BD	WMWS3036BD	WMWS3042BD	WMWS3048BD

**Options Key:** EXP = Exposed End(s) FL = Flush End(s) FUE = Flush Unexposed End(s) SS = Shaped Side PFD = Prep for False Door  
EXT = Extended Stile(s) FT = Flush Toe SBR = Shaped Bottom Rail LE = Leg Extension TSS = Toe Space Side OS = Omit Shelving  
NSH = No Shelf Holes WS = Solid Wood Shelves MI = Matching Interior DT = Dust Top NB = Natural Finished Bottom

**WMWS/CSWMWSCS - Wall Microwave with Shelf w/Center Stile**



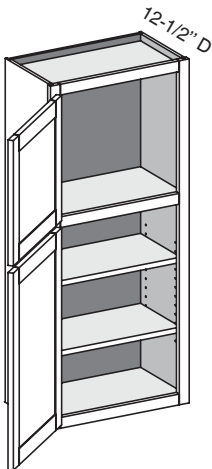
EXP	FL	FUE	SS	PFD	EXT	FT	SBR	LE	TSS	OS	NSH	WS	MI	DT	NB
✓	✓	✓		✓	✓					✓	✓		✓		✓

Custom Size Ranges  
Width: 27" – 36"  
Height: 30" – 72"  
Depth: 5-1/2" – 27"

- 18" deep matching specie plywood microwave shelf.
- Soft Maple uses Hard Maple plywood shelf.
- When height changes, upper opening height changes. Lower opening height fixed at 16-1/2".
- Edge of lower shelf is plywood banded with matching specie veneer.
- 30" – 48" high has one shelf.
- 48-1/16" – 60" high has two shelves.
- 60-1/16" – 72" high has three shelves.

30" High	36" High	42" High	48" High
WMWS2730	WMWS2736	WMWS2742	WMWS2748
WMWS3030	WMWS3036	WMWS3042	WMWS3048

**TTW/CSTTW - Two Tiered Wall**



EXP	FL	FUE	SS	PFD	EXT	FT	SBR	LE	TSS	OS	NSH	WS	MI	DT	NB
✓	✓	✓		✓	✓					✓	✓	✓	✓		✓

Custom Size Ranges  
Width: 12" – 24"  
Height: 48" – 72"  
Depth: 5-1/2" – 27"

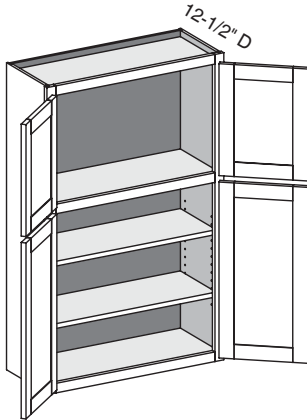
- When height changes, lower opening height changes.
  - ◆ Upper opening height fixed at 16-1/2" with inset, 1/4" and 1/2" overlay.
  - ◆ Upper opening height fixed at 16" with 1-1/4" and 1-3/8" overlay.
- Lower section designed to align with adjacent wall cabinets. Add 18" to adjacent cabinet to determine TTW cabinet height.
- 48" – 60" high has two shelves.
- 60-1/16" – 72" high has three shelves.
- Specify single or butt doors on custom size cabinets 24" wide.

48" High	
TTW1248	TTW2148
TTW1548	TTW2448
TTW1848	

**Options Key:** EXP = Exposed End(s) FL = Flush End(s) FUE = Flush Unexposed End(s) SS = Shaped Side PFD = Prep for False Door  
EXT = Extended Stile(s) FT = Flush Toe SBR = Shaped Bottom Rail LE = Leg Extension TSS = Toe Space Side OS = Omit Shelving  
NSH = No Shelf Holes WS = Solid Wood Shelves MI = Matching Interior DT = Dust Top NB = Natural Finished Bottom

**TTW/CSTTW - Two Tiered Wall w/Butt Doors**

EXP	FL	FUE	SS	PFD	EXT	FT	SBR	LE	TSS	OS	NSH	WS	MI	DT	NB
✓	✓	✓		✓	✓					✓	✓	✓	✓		✓



Custom Size Ranges  
Width: 24" – 36"  
Height: 48" – 72"  
Depth: 5-1/2" – 27"

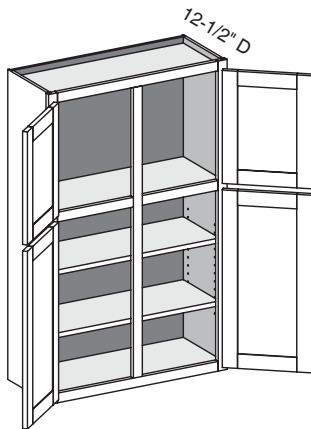
- When height changes, lower opening height changes.
  - ♦ Upper opening height fixed at 16-1/2" with inset, 1/4" and 1/2" overlay.
  - ♦ Upper opening height fixed at 16" with 1-1/4" and 1-3/8" overlay.
- Lower section designed to align with adjacent wall cabinets. Add 18" to adjacent cabinet to determine TTW cabinet height.
- 48" – 60" high has two shelves.
- 60-1/16" – 72" high has three shelves.
- Specify single or butt doors on custom size cabinets 24" wide.

**48" High**

TTW2448BD	TTW3348BD
TTW2748BD	TTW3648BD
TTW3048BD	

**TTW/CSTTWCS - Two Tiered Wall w/Center Stile**

EXP	FL	FUE	SS	PFD	EXT	FT	SBR	LE	TSS	OS	NSH	WS	MI	DT	NB
✓	✓	✓		✓	✓					✓	✓	✓	✓		✓



Custom Size Ranges  
Width: 27" – 36"  
Height: 48" – 72"  
Depth: 5-1/2" – 27"

- When height changes, lower opening height changes.
  - ♦ Upper opening height fixed at 16-1/2" with inset, 1/4" and 1/2" overlay.
  - ♦ Upper opening height fixed at 16" with 1-1/4" and 1-3/8" overlay.
- Lower section designed to align with adjacent wall cabinets. Add 18" to adjacent cabinet to determine TTW cabinet height.
- 48" – 60" high has two shelves.
- 60-1/16" – 72" high has three shelves.

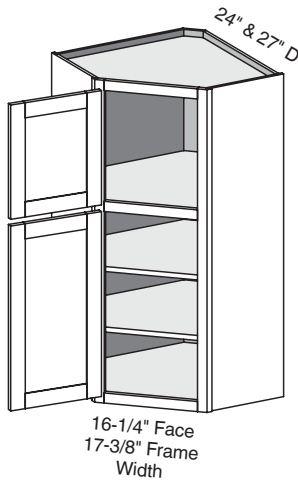
**48" High**

TTW2748	TTW3948
TTW3048	TTW4248
TTW3348	TTW4548
TTW3648	TTW4848

**Options Key:** EXP = Exposed End(s) FL = Flush End(s) FUE = Flush Unexposed End(s) SS = Shaped Side PFD = Prep for False Door  
EXT = Extended Stile(s) FT = Flush Toe SBR = Shaped Bottom Rail LE = Leg Extension TSS = Toe Space Side OS = Omit Shelving  
NSH = No Shelf Holes WS = Solid Wood Shelves MI = Matching Interior DT = Dust Top NB = Natural Finished Bottom

**TTWCSE/CSTTWCE - Two Tiered Wall Corner Single Entry**

EXP	FL	FUE	SS	PFD	EXT	FT	SBR	LE	TSS	OS	NSH	WS	MI	DT	NB
✓	✓	✓		✓						✓	✓	✓	✓		✓



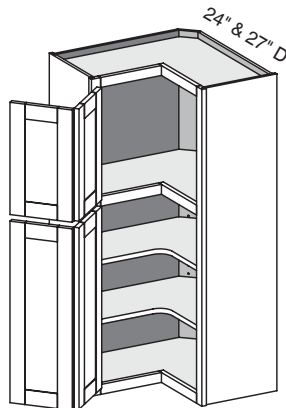
Custom Size Ranges  
 Width: 24", 27"  
 Height: 48" – 72"  
 Depth: 24", 27"

- When height changes, lower opening height changes.
  - ♦ Upper opening height fixed at 16-1/2" with inset, 1/4" and 1/2" overlay.
  - ♦ Upper opening height fixed at 16" with 1-1/4" and 1-3/8" overlay.
- TTWCSE24 units have 12-1/2" deep sides.
- TTWCSE27 units have 15-1/2" deep sides.
- Susan option is not available.
- When ordered in 1-1/4" and 1-3/8" overlay applications (with or without hinges), cabinets will have their doors sized as 1/2" overlay in width only to ensure adequate clearance.
- Lower section designed to align with adjacent wall cabinets. Add 18" to adjacent cabinet to determine TTW cabinet height.
- 48" – 60" high has two shelves.
- 60-1/16" – 72" high has three shelves.

48" High
TTWCSE2448
TTWCSE2748

**TTWCP/CSTTWCP - Two Tiered Wall Corner Pie Cut**

EXP	FL	FUE	SS	PFD	EXT	FT	SBR	LE	TSS	OS	NSH	WS	MI	DT	NB
✓	✓	✓		✓	✓					✓	✓	✓	✓		✓



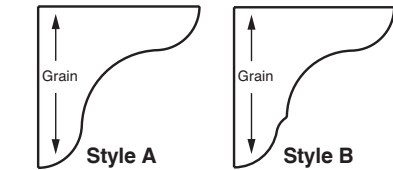
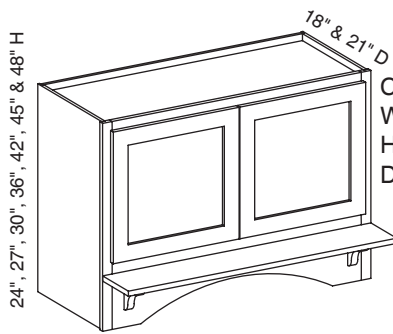
Custom Size Ranges  
 Width: 24", 27"  
 Height: 48" – 72"  
 Depth: 24", 27"

- When height changes, lower opening height changes.
  - ♦ Upper opening height fixed at 16-1/2" with inset, 1/4" and 1/2" overlay.
  - ♦ Upper opening height fixed at 16" with 1-1/4" and 1-3/8" overlay.
- TTWCP24 units have 12-1/2" deep sides.
- TTWCP27 units have 15-1/2" deep sides.
- Susan option is not available.
- When hinges are ordered in 1-1/4" and 1-3/8" overlay applications, cabinets will have their doors sized as 1/2" overlay in width only.
- If hinges are not specified, 1-1/4" and 1-3/8" overlay sizing rules apply. These overlays require adequate clearance for door functionality between corner and adjacent cabinets. Use filler or extended stiles accordingly.
- Lower section designed to align with adjacent wall cabinets. Add 18" to adjacent cabinet to determine TTW cabinet height.
- 48" – 60" high has two shelves.
- 60-1/16" – 72" high has three shelves.

48" High
TTWCP2448
TTWCP2748

**Options Key:** EXP = Exposed End(s) FL = Flush End(s) FUE = Flush Unexposed End(s) SS = Shaped Side PFD = Prep for False Door  
 EXT = Extended Stile(s) FT = Flush Toe SBR = Shaped Bottom Rail LE = Leg Extension TSS = Toe Space Side OS = Omit Shelving  
 NSH = No Shelf Holes WS = Solid Wood Shelves MI = Matching Interior DT = Dust Top NB = Natural Finished Bottom

**RH/CSRH - Range Hood w/Butt Doors**



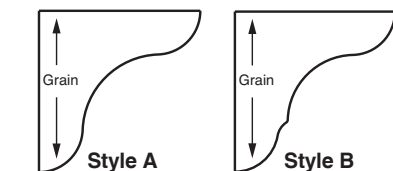
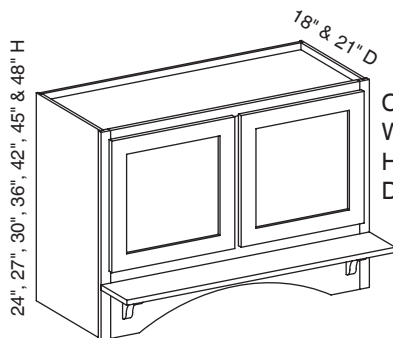
EXP	FL	FUE	SS	PFD	EXT	FT	SBR	LE	TSS	OS	NSH	WS	MI	DT	NB
✓	✓	✓		✓	✓								✓		✓

Custom Size Ranges  
Width: 30" – 36"  
Height: 24" – 48"  
Depth: 18" – 21"

- Operable doors allow access to ventilation unit.
- Ventilators available through Stanisci Design. Phone Number: 248-572-6880.
- Roman Arch bottom rail standard - no options.
- Available with two bracket designs: Style A or B.
- Brackets are 1" thick, 6" high and 6" deep.
- Solid mantle shelf is 3/4" thick and 6-1/4" deep. Specify desired edge profile.
- Mantle shelf kit options (specify one):
  - Kit A - 2 Style A brackets and wood shelf
  - Kit B - 2 Style B brackets and wood shelf
  - Mantle shelf only
  - Style A only (pair)
  - Style B only (pair)
- Mantles and brackets not available on 24" – 29-15/16" high.

24" High	27" High	30" High	36" High	42" High	45" High	48" High
RH3024BD	RH3027BD	RH3030BD	RH3036BD	RH3042BD	RH3045BD	RH3048BD
RH3324BD	RH3327BD	RH3330BD	RH3336BD	RH3342BD	RH3345BD	RH3348BD
RH3624BD	RH3627BD	RH3630BD	RH3636BD	RH3642BD	RH3645BD	RH3648BD

**RH/CSRHCS - Range Hood w/Center Stile**



EXP	FL	FUE	SS	PFD	EXT	FT	SBR	LE	TSS	OS	NSH	WS	MI	DT	NB
✓	✓	✓		✓	✓								✓		✓

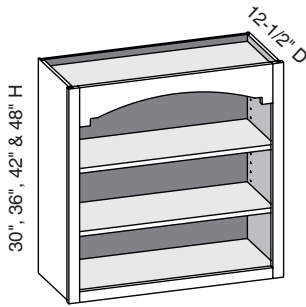
Custom Size Ranges  
Width: 36" – 48"  
Height: 24" – 48"  
Depth: 18" – 21"

- Operable doors allow access to ventilation unit.
- Ventilators available through Stanisci Design. Phone Number: 248-572-6880.
- Roman Arch bottom rail standard - no options.
- Available with two bracket designs: Style A or B.
- Brackets are 1" thick, 6" high and 6" deep.
- Solid mantle shelf is 3/4" thick and 6-1/4" deep. Specify desired edge profile.
- Mantle shelf kit options (specify one):
  - Kit A - 2 Style A brackets and wood shelf
  - Kit B - 2 Style B brackets and wood shelf
  - Mantle shelf only
  - Style A only (pair)
  - Style B only (pair)
- Mantles and brackets not available on 24" – 29-15/16" high.

24" High	27" High	30" High	36" High	42" High	45" High	48" High
RH3624	RH3627	RH3630	RH3636	RH3642	RH3645	RH3648
RH3924	RH3927	RH3930	RH3936	RH3942	RH3945	RH3948
RH4224	RH4227	RH4230	RH4236	RH4242	RH4245	RH4248
RH4524	RH4527	RH4530	RH4536	RH4542	RH4545	RH4548
RH4824	RH4827	RH4830	RH4836	RH4842	RH4845	RH4848

**Options Key:** EXP = Exposed End(s) FL = Flush End(s) FUE = Flush Unexposed End(s) SS = Shaped Side PFD = Prep for False Door  
EXT = Extended Stile(s) FT = Flush Toe SBR = Shaped Bottom Rail LE = Leg Extension TSS = Toe Space Side OS = Omit Shelving  
NSH = No Shelf Holes WS = Solid Wood Shelves MI = Matching Interior DT = Dust Top NB = Natural Finished Bottom

### WOU/CSWOU - Wall Open Unit



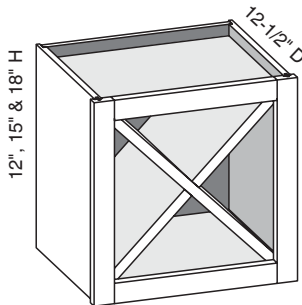
EXP	FL	FUE	SS	PFD	EXT	FT	SBR	LE	TSS	OS	NSH	WS	MI	DT	NB
✓	✓			✓	✓					✓	✓		STD		✓

Custom Size Ranges  
 Width: 15" – 48"  
 Height: 30" – 72"  
 Depth: 5-1/2" – 27"

- Available with valance designs on top rail (see pg. 11.4 for valance options); to order specify using CWS designations associated with the valance designs.
- Top rail is 5-1/2" for all valance designs.
- If no valance design is selected, top rail is 1-1/2" high.
- Minimum width is 15".
- 18" – 24" high has one shelf.
- 24-1/16" – 36" high has two shelves.
- 36-1/16" – 48" high has three shelves.
- 48-1/16" – 59-15/16" high has four shelves.
- 60" – 72" high has five shelves.

30" High	36" High	42" High	48" High
WOU3030	WOU3036	WOU3042	WOU3048
WOU3330	WOU3336	WOU3342	WOU3348
WOU3630	WOU3636	WOU3642	WOU3648
WOU3930	WOU3936	WOU3942	WOU3948
WOU4230	WOU4236	WOU4242	WOU4248
WOU4530	WOU4536	WOU4542	WOU4548
WOU4830	WOU4836	WOU4842	WOU4848

### WXC/CSWXC - Wall X Cube Cabinet



EXP	FL	FUE	SS	PFD	EXT	FT	SBR	LE	TSS	OS	NSH	WS	MI	DT	NB
✓	✓			✓	✓					STD	STD		STD		✓

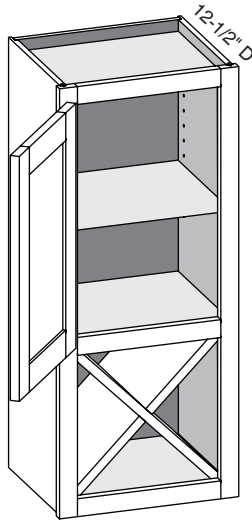
Custom Size Ranges  
 Width: 12", 15", 18"  
 Height: 12", 15", 18"  
 Depth: 5-1/2" – 15-1/2"

- "X" insert constructed from 3/4" matching specie plywood.
- When ordering custom size cabinets, width and height must be equal.
- Top and bottom rails extend into the opening 1/8" to conceal ends of "X" insert after installation.

12" High	15" High	18" High
WXC1212	WXC1515	WXC1818

Options Key: **EXP** = Exposed End(s) **FL** = Flush End(s) **FUE** = Flush Unexposed End(s) **SS** = Shaped Side **PFD** = Prep for False Door  
**EXT** = Extended Stile(s) **FT** = Flush Toe **SBR** = Shaped Bottom Rail **LE** = Leg Extension **TSS** = Toe Space Side **OS** = Omit Shelving  
**NSH** = No Shelf Holes **WS** = Solid Wood Shelves **MI** = Matching Interior **DT** = Dust Top **NB** = Natural Finished Bottom

### W1X/CSW1X - Wall One Door X Cube Cabinet



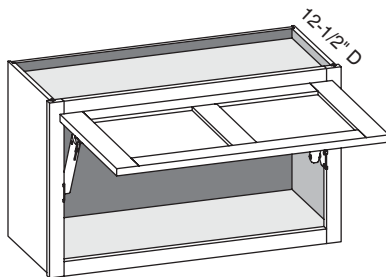
EXP	FL	FUE	SS	PFD	EXT	FT	SBR	LE	TSS	OS	NSH	WS	MI	DT	NB
✓	✓			✓	✓					✓	✓		STD		

Custom Size Ranges  
 Width: 12", 15", 18"  
 Height: 30" – 72"  
 Depth: 5-1/2" – 15-1/2"

- When height changes, upper section increases.
- Lower section height is equal to the cabinet width to maintain X insert sizing.
- "X" insert constructed from 3/4" matching specie plywood.
- Top and bottom rails in lower section extend into the opening 1/8" to conceal ends of "X" insert after installation.
- 30" – 35-15/16" high has one shelf.
- 36" – 47-15/16" high has two shelves.
- 48" – 59-15/16" high has three shelves.
- 60" – 72" high has four shelves.

30" High	33" High	36" High	42" High	45" High	48" High	51" High	54" High	57" High	60" High
W1X1230	W1X1233	W1X1236	W1X1242	W1X1245	W1X1248	W1X1251	W1X1254	W1X1257	W1X1260
W1X1530	W1X1533	W1X1536	W1X1542	W1X1545	W1X1548	W1X1551	W1X1554	W1X1557	W1X1560
W1X1830	W1X1833	W1X1836	W1X1842	W1X1845	W1X1848	W1X1851	W1X1854	W1X1857	W1X1860

### WHKXS/CSWHKXS - Wall w/HK-XS Lift System



EXP	FL	FUE	SS	PFD	EXT	FT	SBR	LE	TSS	OS	NSH	WS	MI	DT	NB
✓	✓	✓		✓	✓					✓	✓	✓	✓		✓

Custom Size Ranges  
 Width: 15" – 36"  
 Height: 12" – 24"  
 Depth: 6-1/2" – 27"

- Preconfigured units include Blum HK-XS Series lift system hardware and Blum COMPACT hinges.
- Door weight and design determine the strength and quantity of lift mechanisms provided.
- Cabinet width 15" – 24" are single panel door designs. 24-1/16" – 36" are two panels side by side. Upcharges for 2 panel door apply.
- Rabbeted edge profiles and inset/prefit options are not available.
- 12" – 18" high has no shelves.
- 18-1/16" – 24" high has one shelf.

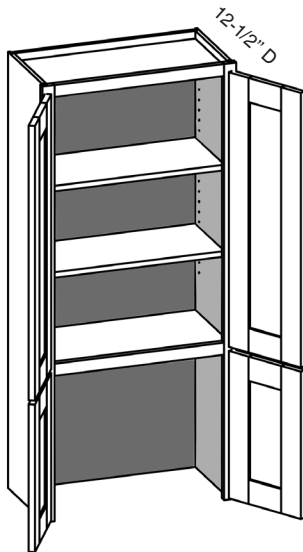
12" High	15" High	18" High	21" High	24" High
WHKXS1512	WHKXS1515	WHKXS1518	WHKXS1521	WHKXS1524
WHKXS1812	WHKXS1815	WHKXS1818	WHKXS1821	WHKXS1824
WHKXS2112	WHKXS2115	WHKXS2118	WHKXS2121	WHKXS2124
WHKXS2412	WHKXS2415	WHKXS2418	WHKXS2421	WHKXS2424
WHKXS2712	WHKXS2715	WHKXS2718	WHKXS2721	WHKXS2724
WHKXS3012	WHKXS3015	WHKXS3018	WHKXS3021	WHKXS3024
WHKXS3312	WHKXS3315	WHKXS3318	WHKXS3321	WHKXS3324
WHKXS3612	WHKXS3615	WHKXS3618	WHKXS3621	WHKXS3624

Options Key: EXP = Exposed End(s) FL = Flush End(s) FUE = Flush Unexposed End(s) SS = Shaped Side PFD = Prep for False Door  
 EXT = Extended Stile(s) FT = Flush Toe SBR = Shaped Bottom Rail LE = Leg Extension TSS = Toe Space Side OS = Omit Shelving  
 NSH = No Shelf Holes WS = Solid Wood Shelves MI = Matching Interior DT = Dust Top NB = Natural Finished Bottom



### CSWAC - Custom Size Wall Appliance Cabinet

EXP	FL	FUE	SS	PFD	EXT	FT	SBR	LE	TSS	OS	NSH	WS	MI	DT	NB
✓	✓	✓		✓	✓					✓	✓	✓	✓		✓

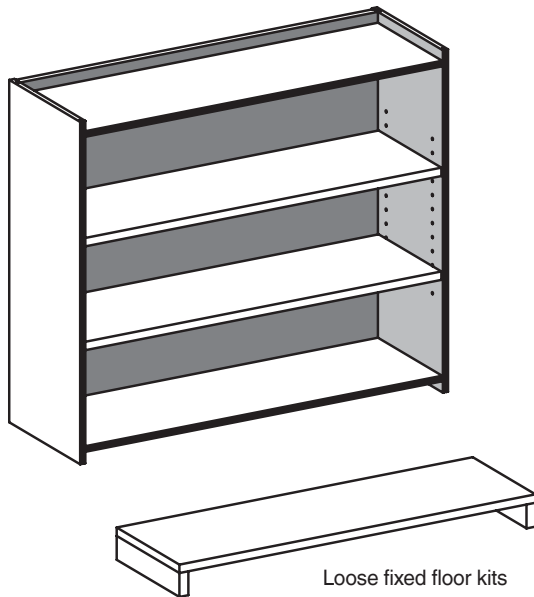


Custom Size Ranges  
 Single Door Width: 12" – 24"  
 Butt Door Width: 24" – 36"  
 Height: 48" – 96"  
 Depth: 5-1/2" – 30"  
 Top Cab Height - 6" - 90"

- When ordering CSWAC specify the desired top cabinet height. On 1-1/4" & 1-3/8" overlay applications, CWS will adjust the front frame mid rail location to ensure doors align with adjacent wall cabinet doors.
- Be sure to account for the countertop thickness when specifying overall cabinet height to ensure doors align properly.
- When ordering loose parts for this cabinet, use the BOM and specify the desired overlay to ensure the correct parts are ordered.
- Specify single or butt doors on custom size cabinets 24" wide.
- Top Cab Height < 18" high has no shelves.
- Top Cab Height 18" – 24" high has one shelf.
- Top Cab Height 24-1/16" - 36" high has two shelves.
- Top Cab Height 36-1/16" – 48" high has three shelves.
- Top Cab Height 48-1/16" – 60" high has four shelves.
- Top Cab Height 60-1/16" – 72" high has five shelves.
- Top Cab Height 72-1/16" – 84" high has six shelves.
- Top Cab Height > 84" high has seven shelves.

### CSWCO - Wall Case Only

EXP	FL	FUE	SS	PFD	EXT	FT	SBR	LE	TSS	OS	NSH	WS	MI	DT	NB
✓	✓	✓		✓						✓	✓	✓	✓		✓



Custom Size Ranges  
 Width: 9" – 48"  
 Height: 12" – 120"  
 Depth: 5-1/2" – 30"

- Customizable cabinet case for custom wall and tall applications.
- No front frame included – case only. Order custom size front frame and doors.
- Sides are machined with shelf holes.
- Loose fixed floor kits are sized to fit between sides. Plywood cleats included to mount floors as needed behind front frame openings. Floors include pre-inserted splines.
- Matching specie interior is not available over 96" high. Natural Birch UV material will be used.
- Custom quantities of fixed floor kits are available. Specify the quantity per cabinet.
- 12" – 18" high has no shelves.
- 18-1/16" – 24" high has one shelf.
- 24-1/16" – 36" high has two shelves.
- 36-1/16" – 48" high has three shelves.
- 48-1/16" – 60" high has four shelves.
- 60-1/16" – 72" high has five shelves.
- 72-1/16" – 84" high has six shelves.
- 84-1/16" – 96" high has seven shelves.
- 96-1/16" – 108" high has eight shelves.
- 108-1/16" – 120" high has nine shelves.

Options Key: EXP = Exposed End(s) FL = Flush End(s) FUE = Flush Unexposed End(s) SS = Shaped Side PFD = Prep for False Door  
 EXT = Extended Stile(s) FT = Flush Toe SBR = Shaped Bottom Rail LE = Leg Extension TSS = Toe Space Side OS = Omit Shelving  
 NSH = No Shelf Holes WS = Solid Wood Shelves MI = Matching Interior DT = Dust Top NB = Natural Finished Bottom