

Moulding Program

Conestoga offers several different moulding programs for your convenience.

Program Selection	Species	Grade	Minimum Order Quantity	Maximum Order Quantity	Lead-Time, Days
8 ft. Standard Profiles	Stock	Choice	1 piece	25 pieces*	3
	Non-stock	Choice	1 piece	None	10
12 ft. Standard Profiles	Non-stock	Choice	1 piece	None	10
8 ft. Non-standard and Special Order Profiles	Any	Choice	1 piece**	None	10
12 ft. Non-standard and Special Order Profiles	Any	Choice	1 piece**	None	10
Random Length Cabinet Framing/S4S	Any	Prime	100 ft.	None	10

*Maximum stock order per specific profile and specie is 25 pieces. Orders exceeding 25 pieces require 10 day lead-time.

**Non-standard profile orders of less than 100 lineal feet will incur a set-up charge.

Solid Wood Moulding Specifications

- Eight foot standard and non-standard mouldings will be shipped 94" to 97" in length.
- Twelve foot standard and non-standard mouldings will be shipped 142" to 146" in length.
- Natural specie characteristics that exhibit the character and beauty of wood will be evident on mouldings. These characteristics will include, but not be limited to, color variations, heartwood, sapwood, pin knots, worm holes and surface and end checks. Conestoga specifications do not allow these characteristics to affect structural integrity of the mouldings.
- Natural characteristics that become evident through machining, environmental or atmospheric conditions such as minor bows, twists and crooks, may be evident but will not affect product quality or impede workability. Machining marks may be evident, but will not affect structural integrity. Moulding profiles 3-1/2" or larger may have at least one glue joint running the length of the piece.
- Solid wood mouldings utilize "Choice" grade material as defined below. Mouldings are classified differently than our door/drawer front wood grading of Premium, Standard and Value grade. Moulding grade refers to the usability of the lumber.
 - ♦ **Choice** – All moulding programs utilize Choice grade material. Each piece will exhibit similar material quality characteristics on the face of the moulding that we offer on our Standard grade doors. Ends will be trimmed. Depending on profile depth and specie ordered, sapwood or heartwood may appear on the moulding face. This is our highest grade for mouldings.
- MDF Mouldings - Produced from TSCA/CARB2 compliant MDF, these mouldings are ideal for high humidity or arid conditions as they are resistant to expansion, contraction, warping and twisting. Available raw, primed and painted.

8 Foot Standard Moulding Pricing and Availability (All pricing per 8 ft. piece)

Design and Profile	Size	Alder	Bamboo	Birch, Red	Birch, White	Cherry	Hickory	Maple, Hard	Maple, Soft	MDF	Oak, Red	Oak, White	PG Hard Maple	Pine, Clear	Walnut
Crown 6															
Crown 24															
Crown 33															
Crown 619															
Crown 1238															
Crown 1550															
Cove Crown 1524															
Large Cove Crown 2618															
Crown 2324															
Crown 2325															
Crown 801 w/ mounting plate															
Shaker Crown 1126 w/ mounting plate															
Crown 342															
Crown 343							97.00	97.00		66.00	88.00	84.00	72.00	176.00	
Reverse Shaker Crown 1529							50.00	55.00	30.00	45.00	64.00	42.00	53.00	127.00	
Crown 2584							66.00	70.00		60.00	86.00	54.00	70.00	176.00	
Crown 2777							56.00	60.00		51.00	72.00	48.00	61.00	151.00	
Mounting Plate 384							33.00	33.00		28.00	37.00	23.00	35.00	50.00	
Mounting Plate 470							33.00	33.00		28.00	37.00	23.00	35.00	50.00	

- Size is nominal. Actual 8 foot length is between 94" and 97".
- Maximum stock order per specific profile and specie is 25 pieces. Additional pieces add 10 days to lead-time.
- When ordering dual-side profile products, specify "Face Side A" or "Face Side B". See the individual drawings in this section for size and profile specifications details.
- All mouldings can be ordered finished "Face Only" or finished "Face and Back".
- See Finishing Program Section for pricing details.
- Many carriers have instituted oversize package surcharges. 8' mouldings are subject to these surcharges. These surcharges do not apply if delivered on a Conestoga truck.
- A moulding cut down option is available.

Key

	Non-stock item 10 day lead-time.
	Stock item—3 day lead-time/2 day red expedite (20% upcharge).
	Not available

8 Foot Standard Moulding Pricing and Availability (All pricing per 8 ft. piece)

Design and Profile	Size	Alder	Bamboo	Birch, Red	Birch, White	Cherry	Hickory	Maple, Hard	Maple, Soft	MDF	Oak, Red	Oak, White	PG Hard Maple	Pine, Clear	Walnut
Reversible Frieze 345	4-1/2"														
Light Rail B11	1-1/2"														
Light Rail 361	1-1/4"														
Light Rail 2380 w/mounting plate	1-3/4"														
Scribe 1809	13/16"														
Scribe 14	1-1/4"														
Scribe 2316	5/8"														
Scribe 2317	4"														
Batten 13	1-1/4"														
Quarter Round 1329	3/4"														
Shoe Moulding 583	3/4"														
Inside Corner Cove 11	3/4"														
Outside Corner 12	3/4"														
Refacer's Corner 2322	7/8"														
Colonial Base 10	4-1/2"														
Beaded Base 381	4-1/2"														
Base Moulding 897	3-1/2"														
Base Moulding 898	5-1/2"														
Beaded Panel B09	3-1/4"														

• See color key on previous page

8 Foot Standard Moulding Pricing and Availability (All pricing per 8 ft. piece)

Design and Profile	Size	Alder	Bamboo	Birch, Red	Birch, White	Cherry	Hickory	Maple, Hard	Maple, Soft	Oak, Red	Oak, White	PG Hard Maple	Pine, Clear	Walnut
Half Round Rope	3/4"	Not available	Not available	Not available	Not available	Not available	Not available	Not available	Not available	Not available	Not available	Not available	Not available	Not available
	1-1/2"	Not available	Not available	Not available	Not available	Not available	Not available	Not available	Not available	Not available	Not available	Not available	Not available	Not available
Egg & Dart	1"	Not available	Not available	Not available	Not available	Not available	Not available	Not available	Not available	Not available	Not available	Not available	Not available	Not available
	1-1/2"	Not available	Not available	Not available	Not available	Not available	Not available	Not available	Not available	Not available	Not available	Not available	Not available	Not available
Dentil	7/8"	Not available	Not available	Not available	Not available	Not available	Not available	Not available	Not available	Not available	Not available	Not available	Not available	Not available
	1-1/2"	Not available	Not available	Not available	Not available	Not available	Not available	Not available	Not available	Not available	Not available	Not available	Not available	Not available
Half Round Plain	1-1/2"	Not available	Not available	Not available	Not available	Not available	Not available	Not available	Not available	Not available	Not available	Not available	Not available	Not available
Half Round Reeded	1-1/2"	Not available	Not available	Not available	Not available	Not available	Not available	Not available	Not available	Not available	Not available	Not available	Not available	Not available

- Size is nominal. Actual 8 foot length is between 94" and 97".
- Maximum stock order per specific profile and specie is 25 pieces. Additional pieces add 10 days.
- When ordering dual-side profile products, specify "Face Side A" or "Face Side B". See the individual drawings in this section for size and profile specifications details.
- All mouldings can be ordered finished "Face Only" or finished "Face and Back".
- See Finishing Program Section for pricing details.
- Many carriers have instituted oversize package surcharges. 8' mouldings are subject to these surcharges. These surcharges do not apply if delivered on a Conestoga truck.
- A moulding cut-down option is available.

Key

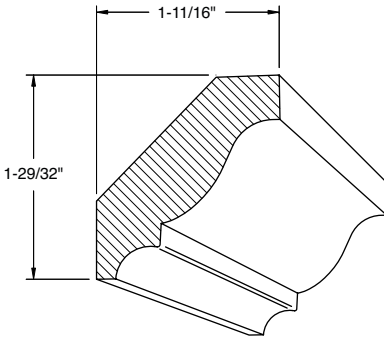
- Non-stock item 10 day lead-time.
- Stock item—3 day lead-time/2 day red expedite (20% upcharge).
- Not available

12 Foot Standard Moulding Pricing and Availability (All pricing per 12 ft. piece)

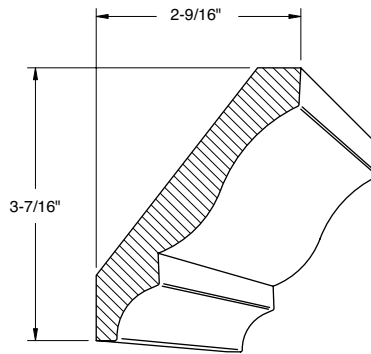
Design and Profile	Size	Cherry	Maple, Hard	PG Hard Maple
Crown 6	2-9/16"			
Crown 24	4-5/16"			
Crown 33	1-9/16"			
Crown 619	3-3/8"			
Crown 1238	4-5/8"			
Crown 2325	5-1/2"			
Crown 801 w/mounting plate	3-9/16"			
Large Cove 1524	3-13/16"			
Reverse Shaker Crown 1529	3-5/8"			
Reverse Frieze 345	4-1/2"			
Light Rail B11	1-1/2"			
Scribe 14	1-1/4"			
Colonial Base 10	4-1/2"			
Beaded Base 381	4-1/2"			

- Longer lengths for applications that require continuous runs with few or no joints.
- 12' Standard mouldings will be shipped 142" – 146" in length.
- These mouldings exceed the maximum length limitations of both FedEx and UPS ground shipments. They will ship by common carrier and minimum LTL freight rates will apply.
- Many carriers have instituted oversize package surcharges. 8' and longer mouldings are subject to these surcharges. These surcharges do not apply if delivered on a Conestoga truck.
- All profiles are a non-stock item. Requires 10 day lead-time.
- See Finishing Program Section for pricing details.

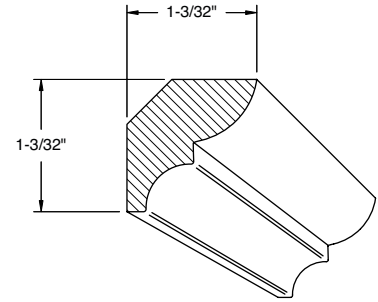
Crown Mouldings



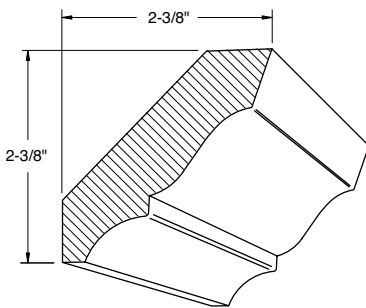
Crown 6



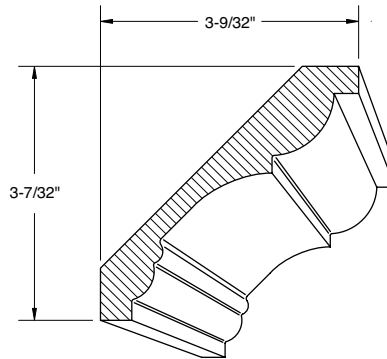
Crown 24



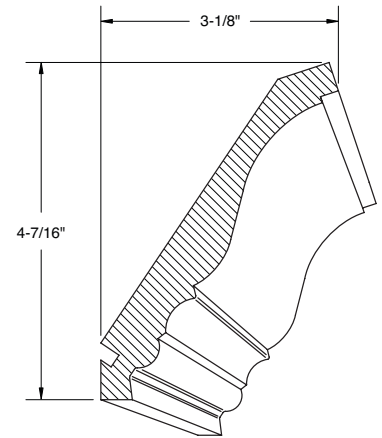
Crown 33



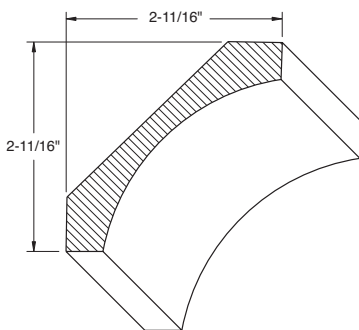
Crown 619



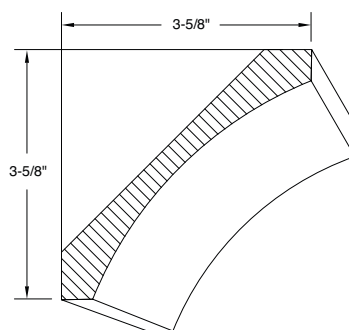
Crown 1238



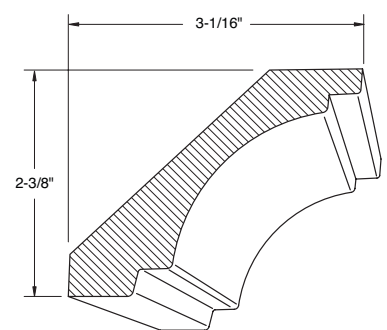
Crown 1550*



Large Cove 1524



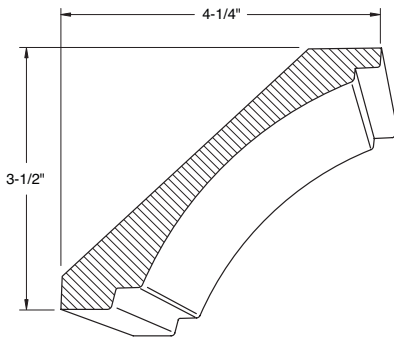
Large Cove 2618



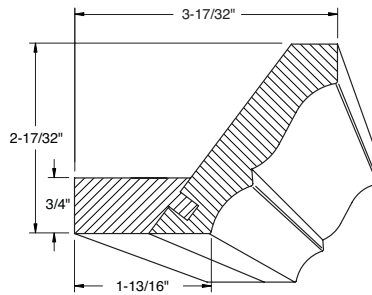
Crown 2324

* Crown moulding 1550 will accommodate Mounting Plate 384.
Note: Drawings not to scale.

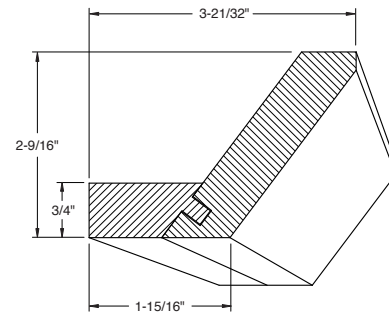
Crown Mouldings (continued)



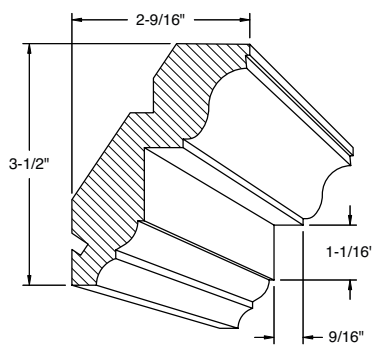
Crown 2325



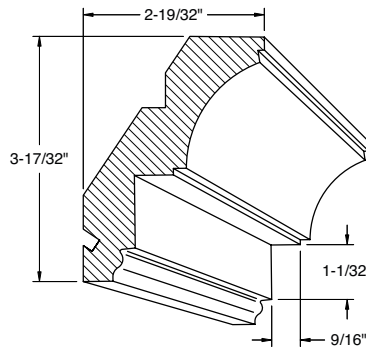
Crown 801*
w/mounting plate



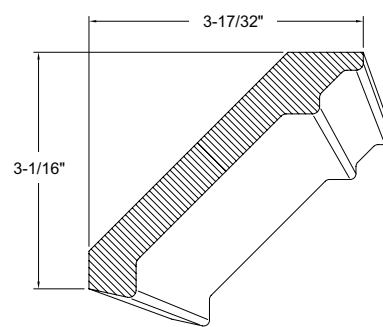
Shaker Crown 1126*
w/mounting plate



Crown 342**



Crown 343**



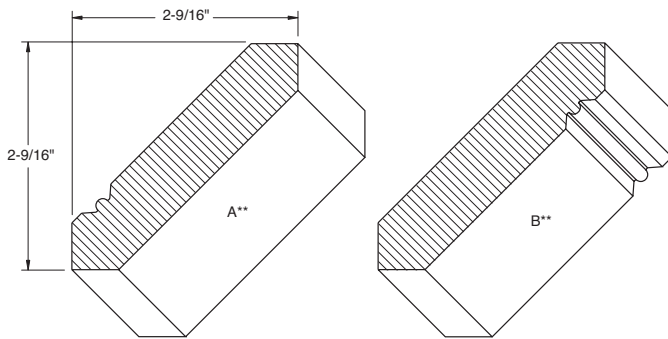
Crown 2777

* Crown 801 and Shaker Crown 1126 will be manufactured with a Paint Grade Hard Maple mounting plate, additional species available through Special Designs.

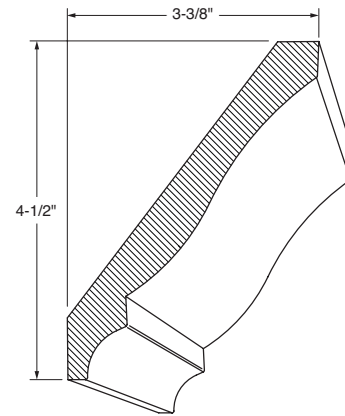
** Crown mouldings 342 and 343 will accommodate mounting plate 384 and 3/4" Rope, 7/8" Dentil and 1" Egg & Dart.

Note: Drawings not to scale.

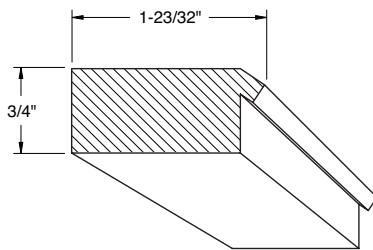
Crown Mouldings (continued)



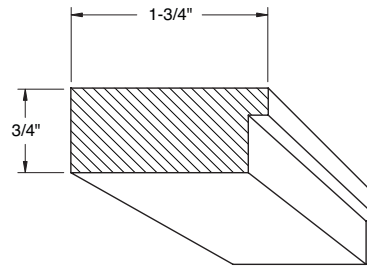
Reverse Shaker Crown 1529 †



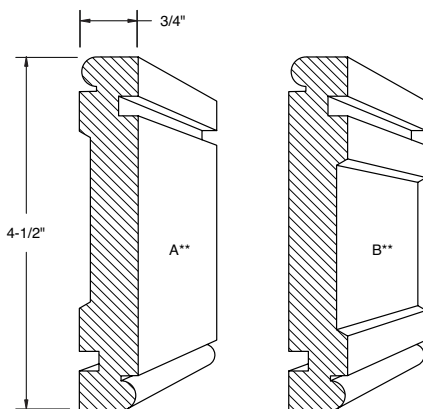
Crown 2584



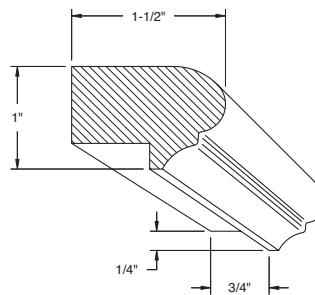
Crown Mounting Plate 384



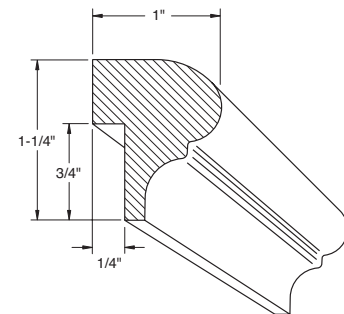
Frieze Mounting Plate 470



Reversible Frieze 345**



Light Rail B11



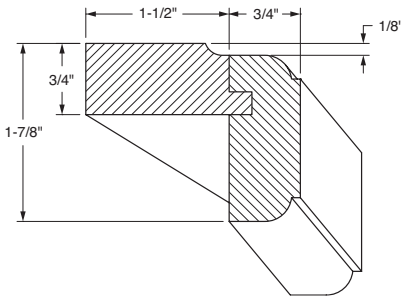
Light Rail 361

* Reversible Frieze 345 will accommodate Mounting Plate 470.

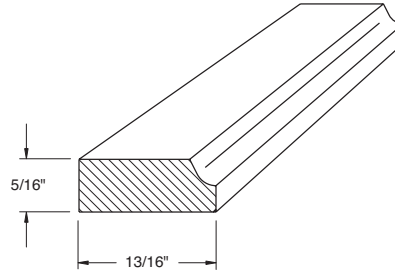
† When ordering dual side profile product, specify "Face side A" or "Face side B". When ordering prefinished product, specify "Finish side A" or "Finish side B".

Note: Drawings not to scale.

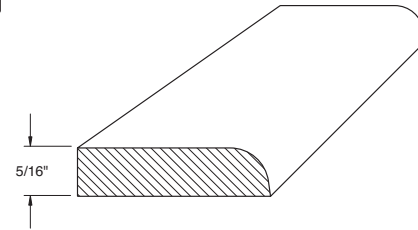
Trim and Accent Mouldings



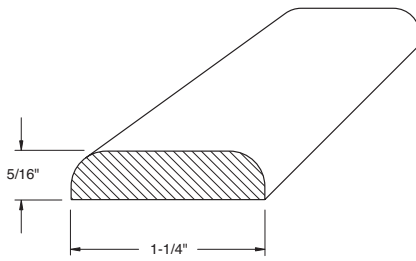
**Light Rail 2380*
w/mounting plate**



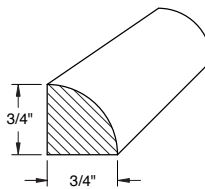
Scribe 1809



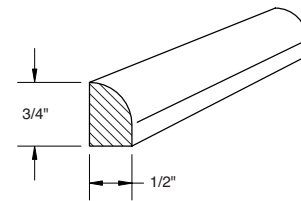
**Scribe 14 (1-1/4" wide)
Scribe 2316 (5/8" wide)
Scribe 2317 (4" wide)**



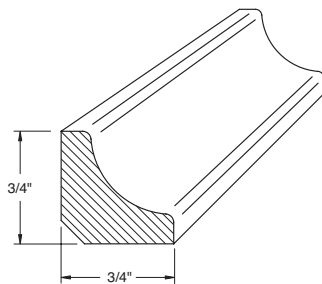
Batten 13



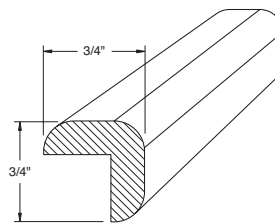
Quarter Round 1329



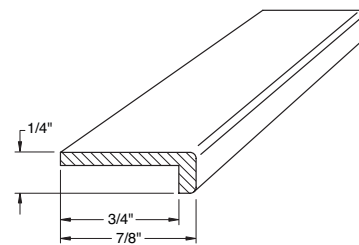
Shoe Moulding 583



Inside Corner Cove 11



Outside Corner 12



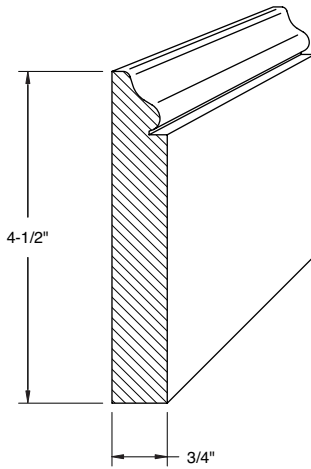
Refacer's Moulding 2322

* Light Rail 2380 is manufactured with matching specie mounting plate. Option to choose edge profile to be applied to top and bottom.

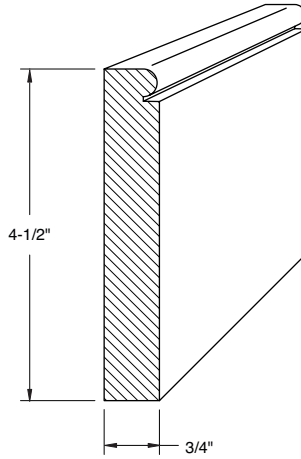
All published edge profiles available except B, C, FP, L-034, L-253, L-304 and L-686.

Note: Drawings not to scale.

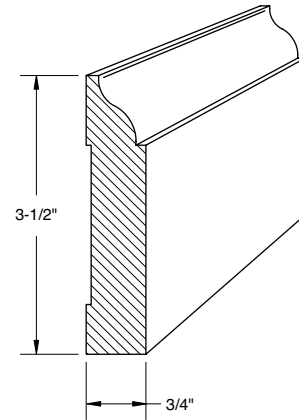
Trim and Accent Mouldings (continued)



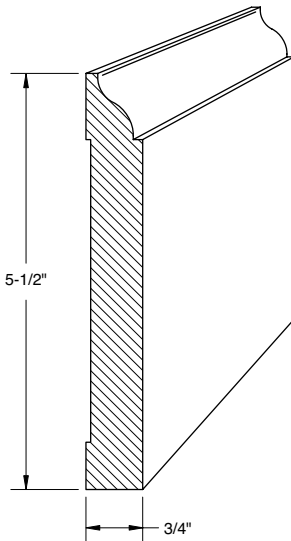
Colonial Base 10



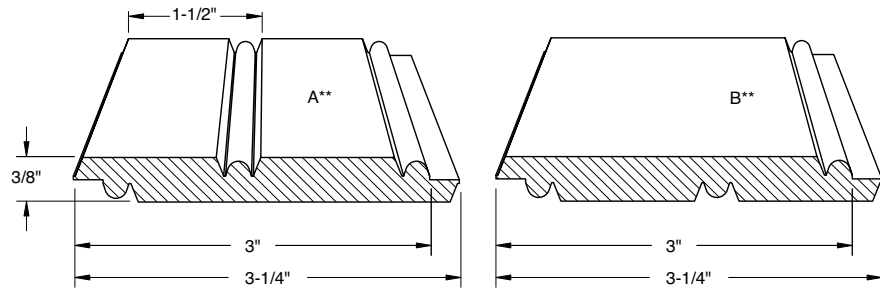
Beaded Base 381



Base Moulding 897



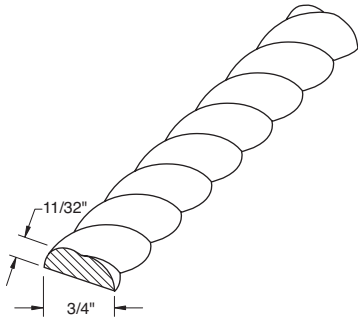
Base Moulding 898



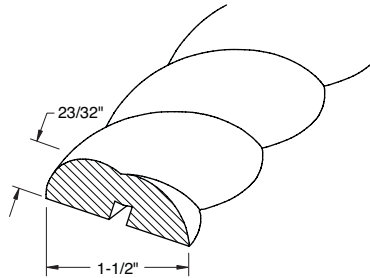
Beaded Panel B09*

* When ordering dual side profile product, specify "Face side A" or "Face side B". When ordering prefinished product, specify "Finish side A" or "Finish side B."
 Note: Drawings not to scale.

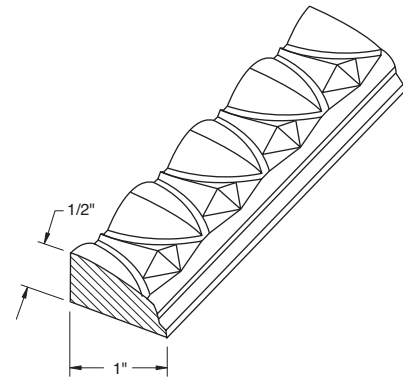
Trim and Accent Mouldings (continued)



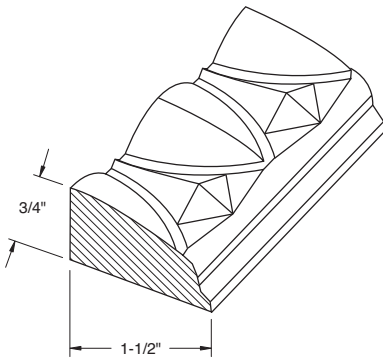
3/4" Rope



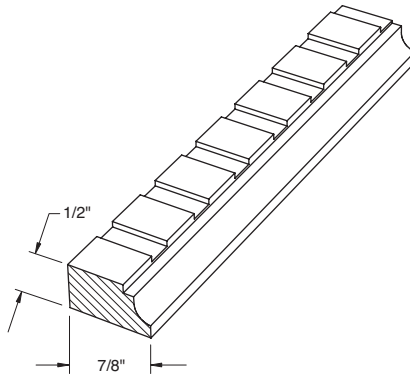
1-1/2" Rope



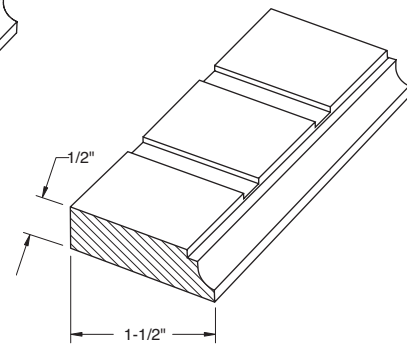
1" Egg & Dart



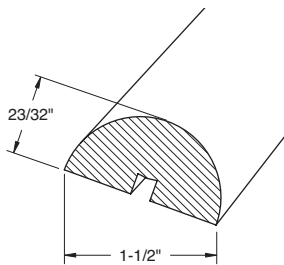
1-1/2" Egg & Dart



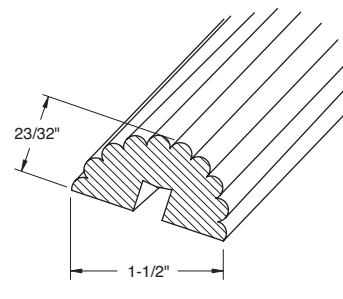
7/8" Dentil



1-1/2" Dentil



1-1/2" Plain



1-1/2" Reeded

Note: Drawings not to scale.

Custom Products | Summer 2024

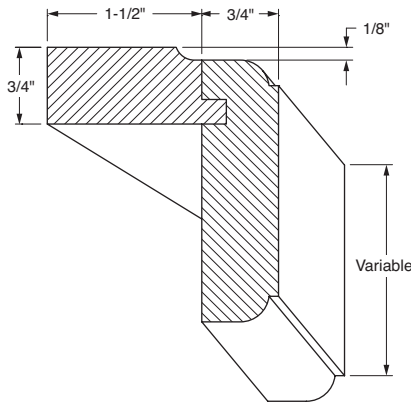
9.11

Trim and Accent Mouldings (continued)

Variable Width Light Rail #2578 Moulding

A variation of the #2380 Light Rail, the #2578 Variable Width Light Rail combines a matching specie mounting plate and the flexibility of a variable front height ranging from 1-1/2" to 5-1/2". Besides a light rail application, this moulding profile could be used as crown or fascia.

- Option to order both long edges profiled to match the doors' outside edge profile, or choose two different profiles.
- All published edge profiles available except B, C, FP, L-034, L-253, L-304, and L-686.

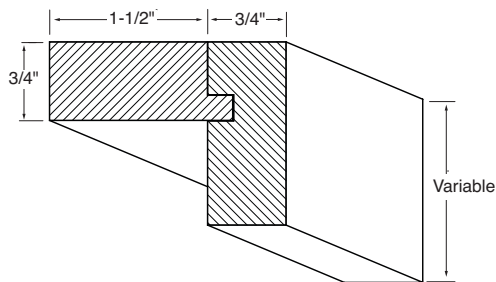


#2578 Variable Width Light Rail Moulding*				
Species	1.50"-2.5"	2.501"-3.5"	3.501"-4.5"	4.501"-5.5"
Alder				
Bamboo				
Birch, Red				
Birch, White				
Cherry				
Hickory				
Maple, Hard				
Maple, Soft				
Oak, Red				
Oak, White				
P. G. Hard Maple				
Pine, Clear				
Walnut				

Variable Width Filler #2470 Moulding

The #2470 Variable Width Filler combines a matching specie mounting plate and the flexibility of a variable front height ranging from 1-1/2" to 6". This moulding profile can be used vertically at the side of a cabinet or horizontally as crown or fascia.

- All published edge profiles available except B, C, FP, L-034, L-253, L-304 and L-686.



#2470 Variable Width Filler Moulding*				
Species	1.50"-2.5"	2.501"-3.5"	3.501"-4.5"	4.501"-6"
Alder				
Bamboo				
Birch, Red				
Birch, White				
Cherry				
Hickory				
Maple, Hard				
Maple, Soft				
Oak, Red				
Oak, White				
P. G. Hard Maple				
Pine, Clear				
Walnut				

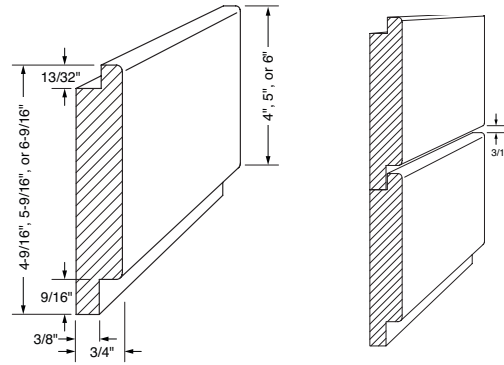
* Many carriers have instituted oversize package surcharges. 8' mouldings are subject to these surcharges. These surcharges do not apply if delivered on a Conestoga truck.

Specialty Mouldings

Shiplap #2580 Moulding

The 8' Shiplap moulding program provides a variety of moulding widths in 12 species, allowing designers to achieve a wide variety of looks from farmhouse to modern.

- Mouldings are profiled to automatically leave a 3/16" gap between the face of adjacent sticks during installation, creating the signature Shiplap appearance.



#2580 Shiplap Moulding*							
Species	4-9/16" width (4" face)	5-9/16" width (5" face)	6-9/16" width (6" face)	Species	4-9/16" width (4" face)	5-9/16" width (5" face)	6-9/16" width (6" face)
Alder				Maple, Soft			
Birch, Red				Oak, Red			
Birch, White				Oak, White			
Cherry				P.G. Hard Maple			
Hickory				Pine, Clear			
Maple, Hard				Walnut			

1/4" Solid Refacer's Program

- Moulding #2073 is solid 1/4" thick and designed to be applied over the face frames of existing cabinetry in field refacing applications.
- Available in 1/16" width increments from 1" to 6" wide x 96" long.
- Variable width refacer's moulding is available in Choice grade material. Sizes shown in the table below are for 1/4" thick "surfaced four sides" (S4S) square stock, molded and sanded.
- Available finished or unfinished. If finish option is chosen, moulding will be finished on face and two long edges only.

Ordering and Sizing Specifications

- Moulding is categorized and priced by width. Moulding width refers to the smallest whole-inch dimension of the refacing segment required. If the moulding is 1-1/4" wide, the appropriate pricing will be located in the 2" column. This rule is applicable to all sizes.
- Moulding wider than 5-1/16" may have one glue joint running the entire length.

#2073 1/4" Solid Refacing Moulding*						
Species	1" width	2" width	3" width	4" width	5" width	6" width
Alder						
Bamboo						
Birch, Red						
Birch, White						
Cherry						
Hickory						
Maple, Hard						
Maple, Soft						
Oak, Red						
Oak, White						
P.G. Hard Maple						
Pine, Clear						
Walnut						

* Many carriers have instituted oversize package surcharges. 8' mouldings are subject to these surcharges. These surcharges do not apply if delivered on a Conestoga truck.

8 Foot Non-Standard Moulding Pricing and Availability (All pricing per 8 ft. piece)

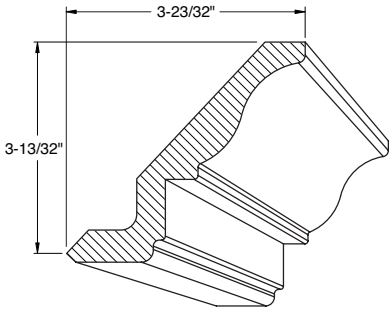
Design and Profile	Size	Alder	Bamboo	Birch, Red	Birch, White	Cherry	Hickory	Maple, Hard	Maple, Soft	Oak, Red	Oak, White	PG Hard Maple	Pine, Clear	Walnut
Crown B10	4-15/16"													
Cove Crown 120	3-1/4"													
Crown 344	4-3/8"													
Crown 859	5-1/2"													
Crown 1017	4-1/4"													
Crown 1557	3-13/16"													
Crown 1621	6-1/2"													
Crown 1622	6-1/2"													
Crown 1623	6-1/2"													
Crown 2057	5-9/16"													
Crown 2310	4-1/4"													
Shaker Crown 2516	4-3/16"													
Light Rail 1448	2-1/4"													
Light Rail 1619 w/mounting plate	2-5/8"													
Colonial Casing 21	2-1/4"													
Case Moulding 466														
Base Cap 860														
Inside Corner 474														
135° Outside Corner 1319														
135° Outside Corner 1995														
Outside Corner 2788	1"													
Beaded Trim 1439	2"													
Inset Parting Bead 2302	1"													

- All non-standard moulding profiles will incur a setup charge when less than 100 linear feet of any specie is ordered.
- Size is nominal. Actual 8 foot length is between 94" and 97".
- All mouldings can be ordered finished "Face Only" or finished "Face and Back".
- See Finishing Section for pricing details.
- Many carriers have instituted oversize package surcharges. 8' mouldings are subject to these surcharges. These surcharges do not apply if delivered on a Conestoga truck.
- A moulding cut-down option is available.

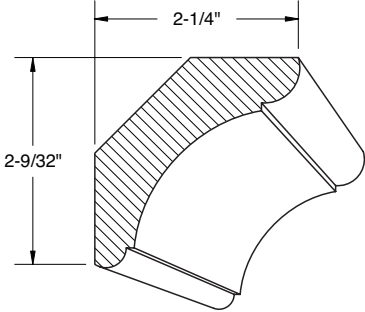
Key

	Non-standard item 10 day lead-time.
	Not available

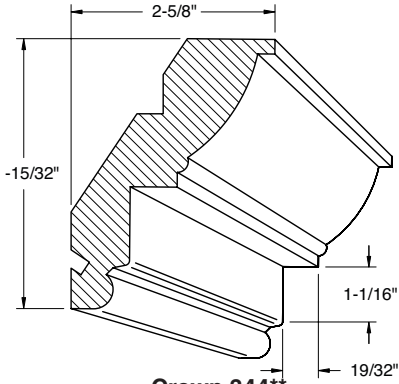
Non-Standard Mouldings



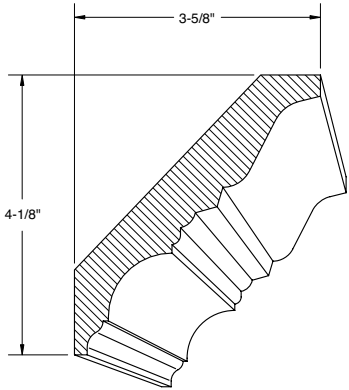
Crown B10*



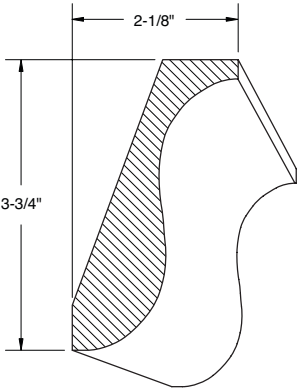
Cove Crown 120



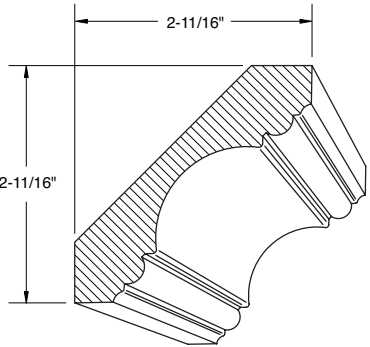
Crown 344**



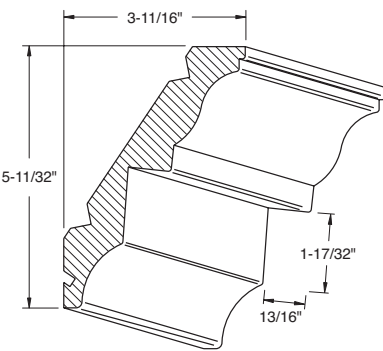
Crown 859



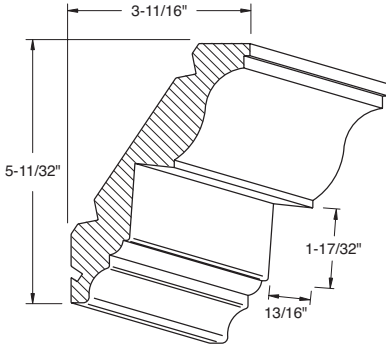
Crown 1017



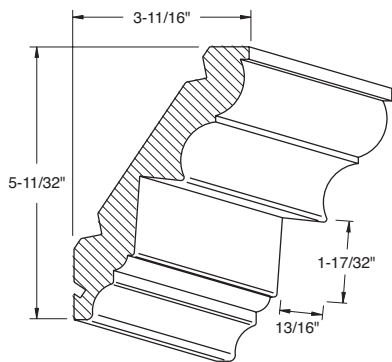
Crown 1557



Crown 1621***



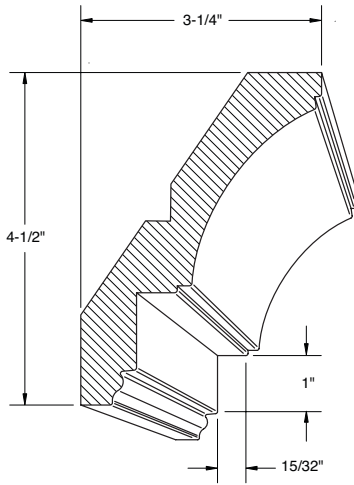
Crown 1622***



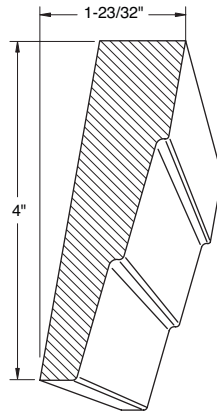
Crown 1623***

* Crown B10 will accommodate 3/4" Rope and 7/8" Dentil.
 ** Crown moulding 344 will accommodate mounting plate 384 and 3/4" Rope, 7/8" Dentil and 1" Egg & Dart.
 *** Crown mouldings 1621, 1622, 1623 will accommodate Mounting Plate 384 and 1-1/2" Rope, Dentil and Egg & Dart.
 All profiles are subject to a setup charge for orders less than 100 linear feet. See pricing page for details.
 Note: Drawings not to scale.
 Many carriers have instituted oversize package surcharges. 8' mouldings are subject to these surcharges. These surcharges do not apply if delivered on a Conestoga truck.

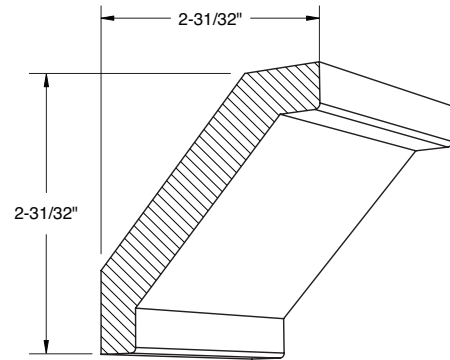
Non-Standard Mouldings (continued)



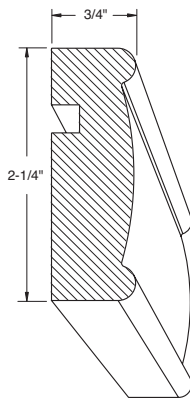
Crown 2057*



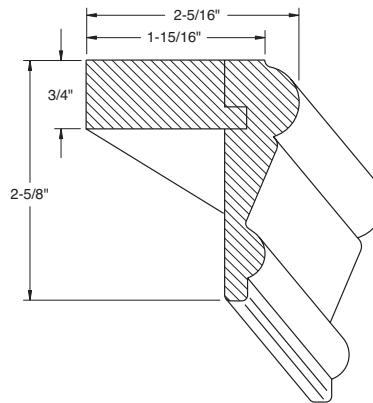
Crown 2310



Shaker Crown 2516



Light Rail 1448**



Light Rail 1619*
w/mounting plate**

* Crown 2057 will accommodate 3/4" Rope, 7/8" Dentil and 1" Egg & Dart.

** Light Rail 1448 will accommodate mounting plate 470.

*** Light Rail 1619 will be manufactured with a Paint Grade Hard Maple mounting plate, additional species available through Special Designs.

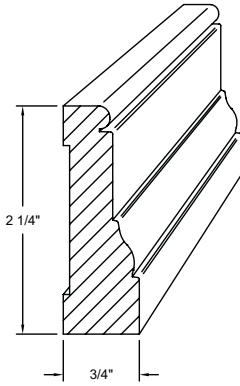
All profiles are subject to a setup charge for orders less than 100 linear feet. See pricing page for details.

Note: Drawings not to scale.

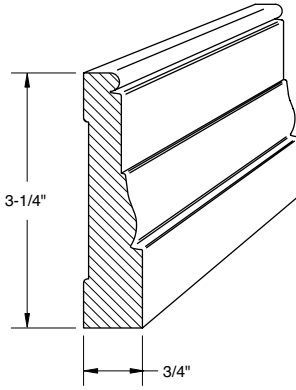
Many carriers have instituted oversize package surcharges. 8' mouldings are subject to these surcharges.

These surcharges do not apply if delivered on a Conestoga truck.

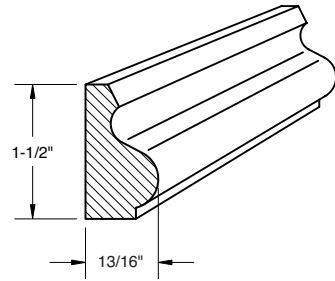
Non-Standard Mouldings (continued)



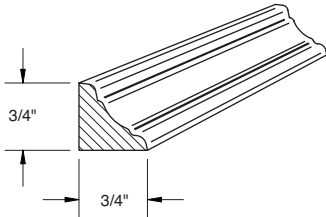
Colonial Casing 21



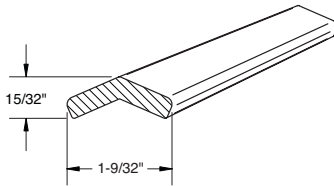
Case Moulding 466



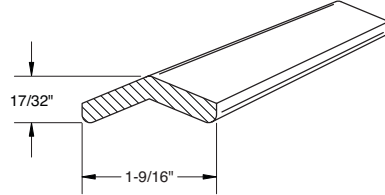
Base Cap 860



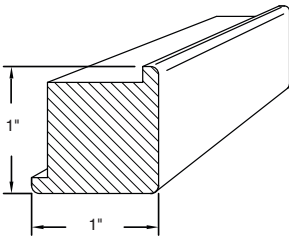
Inside Corner 474



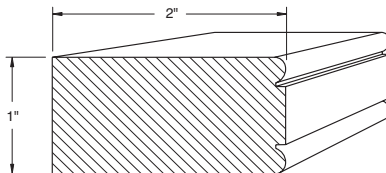
135° Outside Corner 1319



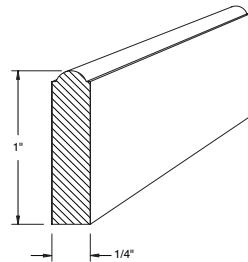
135° Outside Corner 1995



Outside Corner 2788



Beaded Trim 1439



Parting Bead 2302

All profiles are subject to a setup charge for orders less than 100 linear feet. See pricing page for details.
 Note: Drawings not to scale.
 Many carriers have instituted oversize package surcharges. 8' mouldings are subject to these surcharges.
 These surcharges do not apply if delivered on a Conestoga truck.

Moulding Assembly Options

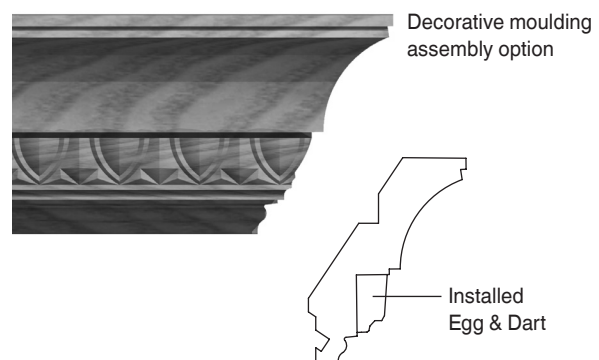
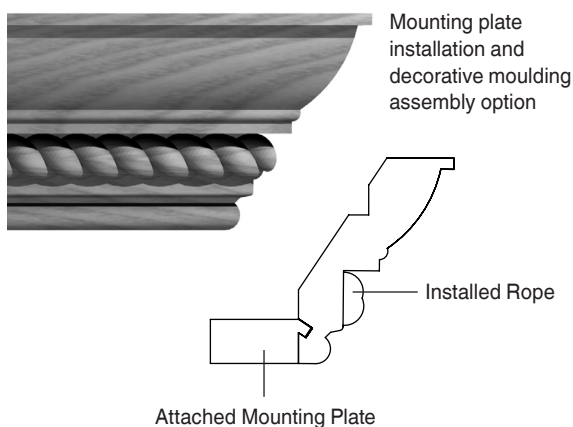
Conestoga's pre-assembled moulding options provide a cost effective alternative to installing mounting cleats and decorative accessory mouldings. By eliminating the need to assemble mouldings in your shop, you can increase throughput and focus your skilled labor on more profitable tasks. Assembled mouldings also finish more attractively, providing additional area for glaze hang up, accentuating the entire profile of decorative accessory mouldings.

Mounting Plate Installation Option

- The Mounting Plate Installation Option allows mounting plates to be pre-applied to select crown and light rail mouldings. For assembled mouldings over 8 feet in length, mounting plate will consist of two lengths cut to size.
- Eligible profiles include all published standard and non-standard crowns, 345 Reversible Frieze and 1448 Light Rail.
- Pricing is calculated by adding the cost of both eight foot moulding lengths plus for the Mounting Plate Installation option.
- Mounting Plate will consist of Paint Grade Hard Maple unless matching specie is otherwise requested.
- To order, designate "Mounting Plate Installation" next to each piece of moulding to be pre-assembled.
- Finishing Option is available for pre-assembled mouldings. See the Finishing Program Section for pricing and finish availability.

Decorative Moulding Assembly Option

- The Decorative Moulding Assembly Option allows customers to order select crown mouldings with accessory mouldings pre-assembled.
- 342, 343, 344 and 2057 Crown mouldings can be combined with the 7/8" Dentil, 1" Egg & Dart and 3/4" Rope mouldings.
- 1621, 1622 and 1623 Crown mouldings can be combined with the 1-1/2" Dentil, Egg & Dart and Rope mouldings.
- Pricing is calculated by adding the cost of both eight foot moulding lengths plus for the Decorative Moulding Assembly Option.
- To order designate "Decorative Moulding Assembly" next to each piece of moulding to be pre-assembled.
- Finishing Option is available for pre-assembled decorative mouldings. See the Finishing Program Section for pricing and finish availability.



Moulding Cut-Down Option

To combat the exorbitant fees freight carriers are charging for packages 96" or longer, Conestoga now offers an option to cut-down any of our mouldings to 90". This includes both trimming of the moulding to length and creating the associated packaging.

- upcharge per piece.
- To order specify "Cut-down to 90 inch" Option.

Special Order Moulding Program

- 8 foot special order mouldings are categorized and priced by width. Moulding width is the smallest whole-inch dimension necessary to manufacture that particular moulding profile. For example: 1-1/4" wide moulding pricing is in the 2" moulding width column. This rule is applicable to all sizes.
- Special order mouldings are only available in Choice grade material. Standard 8 foot length is 94" to 97". Any length greater than 97" and up to 12 foot lengths may be ordered in all Standard species except Bamboo, Red Birch and 1" White Birch. There will be a net upcharge per piece, in addition to the extra Material Footage Charge. Extended 15 day lead-time applies to 10 to 12 foot mouldings.

Contact Customer Service for specie availability and pricing.

Special Order Moulding - 8 ft. Choice Grade Pricing, per linear ft. (10 day lead-time)						
Specie	Moulding Width					
	1"	2"	3"	4"	5"	6"
Alder**						
Bamboo*						
Birch, Red*						
Birch, White*						
Cherry						
Hickory						
Maple, Hard						
Maple, Soft						
Oak, Red						
Oak, White						
Paint Grade Hard Maple						
Pine, Clear White						
Walnut						

*Bamboo, Red Birch and 1" White Birch available in 8 foot lengths only.

**Alder available up to a maximum of 115".

- A setup charge will be applied to all non-standard profile orders totaling less than 100 feet.
- Prices given in the chart are for 3/4" thick mouldings. 1" thick mouldings incur a 30% upcharge.
- Volume discounts per ft.
 - 1,000–3,000 ft.
 - 3,001–5,000 ft.
 - Over 5,000 ft.
- Many carriers have instituted oversize package surcharges. 8' mouldings are subject to these surcharges. These surcharges do not apply if delivered on a Conestoga truck.

Random Length Cabinet Framing

- Random length cabinet framing is available only in Prime grade material. Sizes shown in the pricing table below are for 3/4" thick "surfaced four sides" (S4S) square stock. Optional sanding is available at no additional cost. Specify sanded or unsanded when ordering.
- These pieces may contain a limited amount of defects and color variation permitted in the established rules of the National Hardwood Lumber Association for this grade. Pieces over 8 foot in length will be approximately 80% defect-free. Pieces under 8 foot in length will be approximately 90% defect-free. Defect locations will vary.

Ordering and Sizing Specifications

- Framing is categorized and priced by width. Framing width refers to the smallest whole-inch dimension necessary to manufacture that particular frame. For example: if the framing is 1-1/4" wide, the appropriate pricing will be located in the 2" framing width column, or if the framing is 2-11/16" wide, the appropriate pricing will be located in the 3" framing width column. This rule is applicable to all sizes.
- Random length framing is available in 4 to 12 foot lengths. Exact lengths may not be specified.
- Framing wider than 5-1/16" may have one glue joint running the entire length of the framing.
- Minimum order quantity is 100 feet.
- Optional grooving for Conestoga's Cabinet System's assembly splines is available. Stile and rail material must be ordered separately.

Random Length Cabinet Framing Pricing - per linear ft. (10 day lead-time)						
Specie	Framing Width					
	1"	2"	3"	4"	5"	6"
Alder						
Bamboo*						
Birch, Red						
Birch, White						
Cherry						
Hickory						
Maple, Hard						
Maple, Soft						
Oak, Red						
Oak, White						
Paint Grade Hard Maple						
Pine, Clear White						
Walnut						

*Bamboo available in 8 foot lengths only.

- Prices given in the chart are for 3/4" thick mouldings. 1" thick moulding incurs a 30% upcharge.
- Volume discounts per ft.

1,000–3,000 ft.	\$.10/ft.
3,001–5,000 ft.	.15/ft.
Over 5,000 ft.	.20/ft.
- Many carriers have instituted oversize package surcharges. 8' mouldings are subject to these surcharges. These surcharges do not apply if delivered on a Conestoga truck.